



**EUROPEAN NEW CAR ASSESSMENT PROGRAMME
(Euro NCAP)**



TEST PROTOCOL – AEB/LSS VRU systems

Implementation 2023

Version 4.5.1
February 2024

Copyright 2024 ©Euro NCAP - This work is the intellectual property of Euro NCAP. Permission is granted for this material to be shared for non-commercial, educational purposes, provided that this copyright statement appears on the reproduced materials and notice is given that the copying is by permission of Euro NCAP. To disseminate otherwise or to republish requires written permission from Euro NCAP.

EUROPEAN NEW CAR ASSESSMENT PROGRAMME (Euro NCAP)

TEST PROTOCOL – AEB VRU SYSTEMS

Table of Contents

1	INTRODUCTION	1
2	DEFINITIONS	2
2.1	General	2
2.2	Test Scenarios	4
3	REFERENCE SYSTEM	7
3.1	Convention	7
3.2	VUT longitudinal path error	8
3.3	VUT Lateral Path Error	8
3.4	Profiles for impact speed determination.....	9
4	MEASURING EQUIPMENT	11
4.2	Measurements and Variables	11
4.3	Measuring Equipment.....	13
4.4	Data Filtering	13
5	EURO NCAP VULNERABLE ROAD USER TARGETS	14
5.1	Specification	14
6	TEST CONDITIONS	15
6.1	Test Track	15
6.2	Weather Conditions.....	16
6.3	Surroundings.....	17
6.4	VUT Preparation	18
7	TEST PROCEDURE	21
7.1	VUT Pre-test Conditioning	21
7.2	Car-to-Pedestrian Scenarios	22
7.3	Car-to-Bicyclist Scenarios.....	29
7.4	Car-to-Motorcyclist Scenarios.....	35
7.5	Test Conduct	42
7.6	Test Execution.....	43

ANNEX A	OBSTRUCTION DIMENSIONS	47
A.1	Smaller obstruction vehicle	47
A.2	Larger obstruction vehicle	47
ANNEX B	TESTING AT LOW AMBIENT LIGHTING CONDITIONS	48
B.1	Illumination Situation	48
B.2	Reference EN 13201	48
B.3	Terms and definitions	48
B.3.1	Derivation of parameter	49
B.4	Light condition	49
B.4.1	Background illuminance	50
B.4.2	Illuminance at VUT path	51
B.4.3	Illuminance at EPT path	52
B.4.4	Measurement tolerances	53
B.5	Test Equipment	54
B.5.1	General requirement	54
B.5.2	Glaring	54
B.5.3	Constant illumination function	54
B.5.4	Colour temperature	54
B.5.5	Mounting device	54
B.5.6	Free Space (F)	54
B.5.7	Test setup	55
B.5.8	EPT position	58
B.6	Example Test Equipment	59
	Lamp type	59
B.6.1	Requirement test setup adjustment	59
B.6.2	Longitudinal inclination of lamp	61
B.6.3	Orientation of lamp	62
B.6.4	Example solutions	63
B.6.5	Example mounting devices	64
	Towerlight TF5.5	64
B.7	Measurement	65

<i>B.7.1</i>	<i>Measurement setting</i>	<i>65</i>
<i>B.7.2</i>	<i>Example measurement grid</i>	<i>66</i>
<i>B.7.3</i>	<i>Example measurement tools</i>	<i>67</i>
<i>B.7.4</i>	<i>Measurement documentation</i>	<i>68</i>
ANNEX C	BRAKE APPLICATION PROCEDURE	69
<i>C.1</i>	<i>Definitions</i>	<i>69</i>
<i>C.2</i>	<i>Measurements</i>	<i>69</i>
<i>C.4</i>	<i>Brake Application Profile</i>	<i>70</i>

1 INTRODUCTION

Accidents between cars and vulnerable road users are one of the most frequent accidents happening on the roads due to driver distraction or misjudgement.

Typical accidents between cars and vulnerable road users occur at city speeds where pedestrians and cyclists cross the path of the vehicle. These types of accidents usually coincide with severe injuries and leave the driver with very little reaction time to apply the brakes.

To support the driver in avoiding when possible or mitigating such crashes, car manufactures offer avoidance technology that reacts to the situation by autonomous braking and at higher speeds may issue warnings to alert the driver. Systems that specifically look for and react to vulnerable road users like pedestrians, cyclists and motorcyclists are called AEB/LSS VRU systems.

This protocol specifies the AEB/LSS VRU test procedure for Car-to-Pedestrian, Car-to-Bicyclist and Car-to-Motorcyclist scenarios, which are part of Vulnerable Road User protection.

Note:

Active Safety scoring in VRU is conditional to the total points achieved in subsystem tests, i.e. the sum of pedestrian Headform, Upper Legform & Lower Legform scores.

If the subsystem total test score is lower than 18 points, no points are available for AEB/LSS VRU, regardless whether the system is fitted and would achieve a good score.

2 DEFINITIONS

2.1 General

Throughout this protocol the following terms are used:

Peak Braking Coefficient (PBC) – the measure of tyre to road surface friction based on the maximum deceleration of a rolling tyre, measured using the American Society for Testing and Materials (ASTM) E1136-10 (2010) standard reference test tyre, in accordance with ASTM Method E 1337-90 (reapproved 1996), at a speed of 64.4km/h, without water delivery. Alternatively, the method as specified in UNECE R13-H.

Autonomous Emergency Braking (AEB) – braking that is applied automatically by the vehicle in response to the detection of a likely collision to reduce the vehicle speed and potentially avoid the collision.

Forward Collision Warning (FCW) – an audio-visual warning that is provided automatically by the vehicle in response to the detection of a likely collision to alert the driver.

Autonomous Emergency Steering (AES) – steering that is applied automatically by the vehicle in response to the detection of a likely collision to steer the vehicle and potentially avoid the collision.

Emergency Steering Support (ESS) – a system that supports the driver steering input in response to the detection of a likely collision to alter the vehicle path and potentially avoid a collision.

Vehicle width – the widest point of the vehicle ignoring the rear-view mirrors, side marker lamps, tyre pressure indicators, direction indicator lamps, position lamps, flexible mud-guards and the deflected part of the tyre side-walls immediately above the point of contact with the ground.

Car-to-Pedestrian – a collision between a vehicle and an adult or child pedestrian in its path, when no braking and/or steering action is applied.

Car-to-Bicyclist – a collision between a vehicle and an adult bicyclist in its path, when no braking and/or steering is applied.

Car-to-Motorcyclist – a collision between a vehicle and a Motorcyclist in its path, when no braking and/or steering is applied.

Vehicle under test (VUT) – means the vehicle tested according to this protocol with a pre-crash collision mitigation or avoidance system on board.

Euro NCAP Pedestrian Target (EPTa) – means the articulated adult pedestrian target used in this protocol as specified in ISO 19206-2:2018

Euro NCAP Child Target (EPTc) – means the articulated child pedestrian target used in this protocol as specified in ISO 19206-2:2018

Euro NCAP Bicyclist Target (EBTa) – means the adult bicyclist and bike target used in this protocol as specified in ISO 19206-4:2020

Euro NCAP Motorcyclist Target (EMT) – means the Motorcyclist target used in this protocol as specified in the [deliverable D2.1 of the MUSE project](#) (Fritz and Wimmer 2019) which at time of publication is to be replaced with ISO 19206-5.

Real Motorcycle – Means a motorcyclist target that can be used in the Blind-Spot Monitoring Tests of this protocol, as an alternative to the EMT. The Real Motorcycle shall be a type approved two-wheeled motorcycle, with a maximum speed of at least 80km/h by design, without front fairing or windshield. It shall closely resemble the EMT (as specified in section 2.1 of [deliverable D2.1 of the MUSE project](#)), thus staying within the mean dimensions of the most registered middleweight naked motorcycles in Europe (i.e. wheelbase >1405mm. and <1445mm.).

Time To Collision (TTC) – means the remaining time before the VUT strikes the test target, assuming that the VUT and test target would continue to travel with the speed it is travelling.

T_{AEB} – means the time where the AEB system activates. Activation time is determined by identifying the last data point where the filtered acceleration signal is below -1 m/s^2 , and then going back to the point in time where the acceleration first crossed -0.3 m/s^2

T_{FCW} – means the time where the audible warning of the FCW starts. The starting point is determined by audible recognition.

Lane Support System (LSS) – a system that correct the vehicle heading to keep the vehicle within its driving lane and/or warns the driver

Emergency Lane Keeping (ELK) – default On heading correction that is applied automatically by the vehicle in response to the detection of the vehicle that is about to drift beyond a solid line marking, the edge of the road or into oncoming or overtaking traffic in the adjacent lane.

V_{impact} – means the speed at which the profiled line around the front or rear end of the VUT coincides with the virtual box around the test targets (platform not included in the virtual box) EPTa, EPTc, EBTa and EMT as shown in the right part of the figures below.

$V_{\text{rel_test}}$ – means the relative speed between the VUT and the test target (EPT, EBT or EMT) by subtracting the longitudinal velocity of the test target from that of the VUT at the start of test.

$V_{\text{rel_impact}}$ – means the relative speed at which the VUT hits the test target (EPT, EBT or EMT) by subtracting the longitudinal velocity of the test target from V_{impact} at the time of collision.

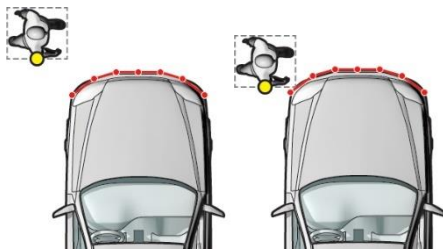


Figure 2-1: Front end profile and EPT

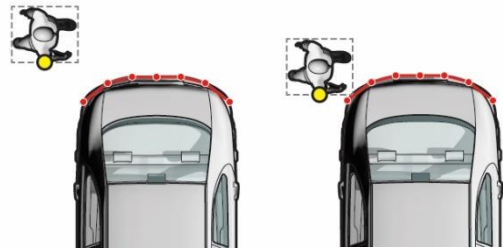


Figure 2-2: Rear end profile and EPT

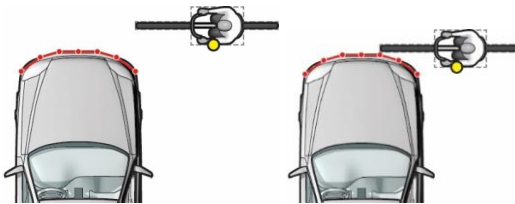


Figure 2-3: Front end profile and EBT

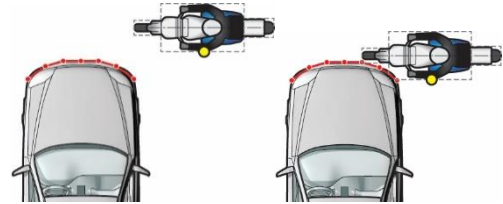


Figure 2-4: Front end profile and EMT

2.2 Test Scenarios

Car-to-Bicyclist Dooring Adult (CBDA) – a collision between the vehicle's door (or an occupant exiting a vehicle equipped with a sliding door) and a bicyclist traveling alongside the parked vehicle.

Car-to-Pedestrian Farside Adult 50% (CPFA-50) – a collision in which a vehicle travels forwards towards an adult pedestrian crossing its path running from the farside and the frontal structure of the vehicle strikes the pedestrian at 50% of the vehicle's width when no braking action is applied.

Car-to-Pedestrian Nearside Adult 25% (CPNA-25) – a collision in which a vehicle travels forwards towards an adult pedestrian crossing its path walking from the nearside and the frontal structure of the vehicle strikes the pedestrian at 25% of the vehicle's width when no braking action is applied.

Car-to-Pedestrian Nearside Adult 75% (CPNA-75) – a collision in which a vehicle travels forwards towards an adult pedestrian crossing its path walking from the nearside and the frontal structure of the vehicle strikes the pedestrian at 75% of the vehicle's width when no braking action is applied.

Car-to-Pedestrian Nearside Child Obstructed 50% (CPNCO-50) – a collision in which a vehicle travels forwards towards a child pedestrian crossing its path running from behind and obstruction from the nearside and the frontal structure of the vehicle strikes the pedestrian at 50% of the vehicle's width when no braking action is applied.

Car-to-Pedestrian Longitudinal Adult 25% (CPLA-25) – a collision in which a vehicle travels forwards towards an adult pedestrian walking in the same direction in front of the vehicle where the vehicle strikes the pedestrian at 25% of the vehicle's width when no braking action is applied or an evasive steering action is initiated after an FCW.

Car-to-Pedestrian Longitudinal Adult 50% (CPLA-50) – a collision in which a vehicle travels forwards towards an adult pedestrian walking in the same direction in front of the vehicle where the vehicle strikes the pedestrian at 50% of the vehicle's width when no braking action is applied.

Car-to-Pedestrian Turning Adult 50% (CPTA-50) – a collision in which a vehicle turns towards an adult pedestrian crossing its path, walking across a junction (in either the same and opposite direction as the VUT, before the VUT made the turn) and the frontal structure of the vehicle strikes the pedestrian at 50% of the vehicle's width when no braking action is applied.

Car-to-Pedestrian Reverse Adult/Child moving 50% (CPRA/Cm-50) – a collision in which a vehicle travels rearwards towards an adult or child pedestrian crossing its path walking from the nearside and the rear structure of the vehicle strikes the pedestrian at 50% of the vehicle's width when no braking action is applied.

Car-to-Pedestrian Reverse Adult/Child stationary (CPRA/Cs) – a collision in which a vehicle travels rearwards towards an adult or child pedestrian standing still and the rear structure of the vehicle strikes the pedestrian at 25, 50 or 75% of the vehicle's width when no braking action is applied.

Car-to-Bicyclist Nearside Adult 50% (CBNA-50) – a collision in which a vehicle travels forwards towards a bicyclist crossing its path cycling from the nearside and the frontal structure of the vehicle strikes the bicyclist when no braking action is applied.

Car-to-Bicyclist Nearside Adult Obstructed 50% (CBNAO-50) – a collision in which a vehicle travels forwards towards a bicyclist crossing its path cycling from the nearside from behind an obstruction and the frontal structure of the vehicle strikes the bicyclist at 50% of the vehicle's width when no braking action is applied.

Car-to-Bicyclist Farside Adult 50% (CBFA-50) – a collision in which a vehicle travels forwards towards a bicyclist crossing its path cycling from the farside and the frontal structure of the vehicle strikes the bicyclist at 50% of the vehicle's width when no braking action is applied.

Car-to-Bicyclist Longitudinal Adult 25% (CBLA-25) – a collision in which a vehicle travels forwards towards a bicyclist cycling in the same direction in front of the vehicle where the vehicle would strike the cyclist at 25% of the vehicle's width when no braking action is applied or an evasive steering action is initiated after an FCW.

Car-to-Bicyclist Longitudinal Adult 50% (CBLA-50) – a collision in which a vehicle travels forwards towards a bicyclist cycling in the same direction in front of the vehicle where the vehicle would strike the cyclist at 50% of the vehicle's width when no braking action is applied.

Car-to-Bicyclist Turning Adult 50% (CBTA-50) – a collision in which a vehicle turns towards a bicyclist crossing its path, cycling in the opposite direction across a junction and the frontal structure of the vehicle strikes the cyclist at 50% of the vehicle's width when no braking action is applied.

Car-to-Motorcyclist Rear Stationary (CMRs) – a collision in which a vehicle travels forwards towards a motorcyclist and the front structure of the vehicle strikes the rear of the motorcycle.

Car-to-Motorcyclist Rear Braking (CMRb) – a collision in which a vehicle travels forwards towards a motorcyclist that is travelling at constant speed and then decelerates, and the frontal structure of the vehicle strikes the rear of the motorcycle.

Car-to-Motorcyclist Front Turn Across Path (CMFtap) – a collision in which a vehicle turns across the path of an oncoming motorcyclist travelling at a constant speed, and the frontal structure of the vehicle strikes the front of the motorcycle.

Car-to-Motorcyclist Oncoming (CMoncoming) – a collision in which a vehicle drifts out of lane and into the path of a motorcyclist travelling in the opposite direction in the adjacent lane.

Car-to-Motorcyclist Overtaking (CMovertaking) – a collision in which a vehicle drifts out of lane and into the path of a motorcyclist travelling in the same direction in the adjacent lane.

3 REFERENCE SYSTEM

3.1 Convention

- 3.1.1 For VUT, EPT, EBT and EMT use the convention specified in ISO 8855:1991 in which the x-axis points towards the front of the vehicle, the y-axis towards the left and the z-axis upwards (right hand system), with the origin at the most forward point on the centreline of the VUT for dynamic data measurements as shown in Figure 3-1.
- 3.1.2 Viewed from the origin, roll, pitch and yaw rotate clockwise around the x, y and z axes respectively. Longitudinal refers to the component of the measurement along the x-axis, lateral the component along the y-axis and vertical the component along the z-axis.
- 3.1.3 This reference system should be used for both left-hand drive (LHD) and right-hand drive (RHD) vehicles tested.
- 3.1.4 The nearside is swapped as per LHD and RHD vehicles. Figure 3-1 shows the near and farside of the vehicle for a left hand driven (LHD) vehicle.

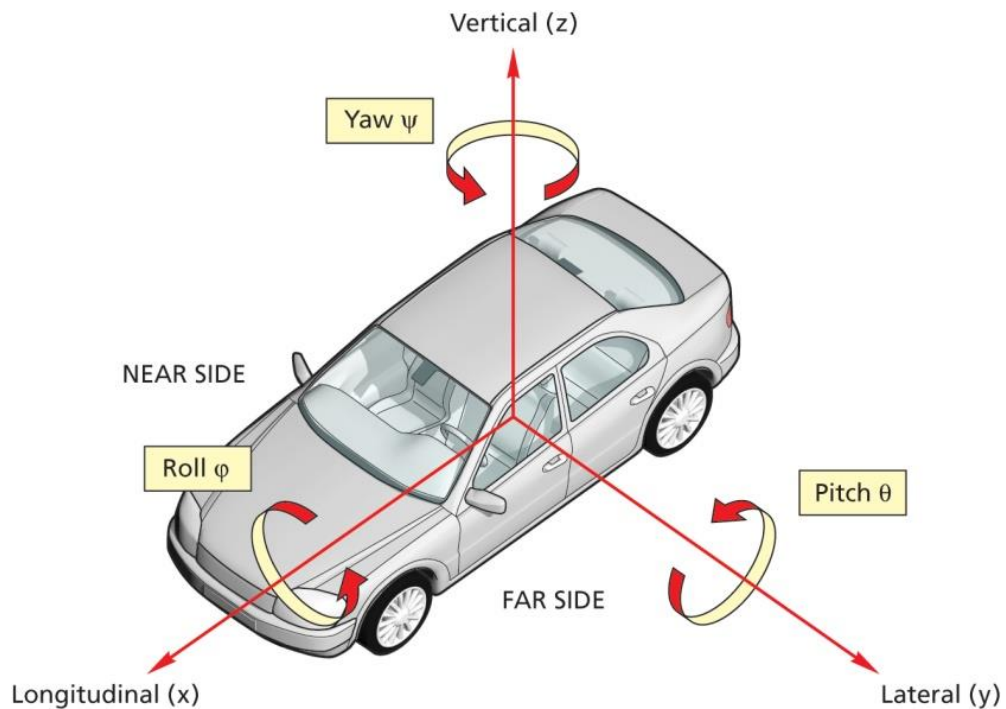


Figure 3-1: Coordinate system and notation (LHD & RHD) and nearside – farside for LHD vehicle

3.2 VUT longitudinal path error

3.2.1 For CMFtap scenario, the VUT longitudinal path error is determined as the difference between the desired position and the actual position of the front of the VUT when measured at a single defined “stable” position of the front of the EMT during the test.

$$\text{VUT longitudinal path error} = X_{\text{VUT, desired}} - X_{\text{VUT, actual}} (@X_{\text{EMT}})$$

When the origin of the reference system is at the intended collision point, the values shown in the table below shall be used to determine the VUT longitudinal path error.

VUT speed	EMT speed	$X_{\text{VUT, desired}}$	X_{EMT}
10 km/h	30 km/h	- 10.66 m	33.33 m
	45 km/h		50.00 m
	60 km/h		66.66 m
15 km/h	30 km/h	- 16.39 m	33.33 m
	45 km/h		50.00 m
	60 km/h		66.66 m
20 km/h	30 km/h	- 22.02 m	33.33 m
	45 km/h		50.00 m
	60 km/h		66.66 m

3.3 VUT Lateral Path Error

3.3.1 The lateral offset ($Y_{\text{VUT-error}}$) is determined as the lateral distance between the centre of the front axle of the VUT when measured in parallel to the intended path as shown in Figure 3-2.

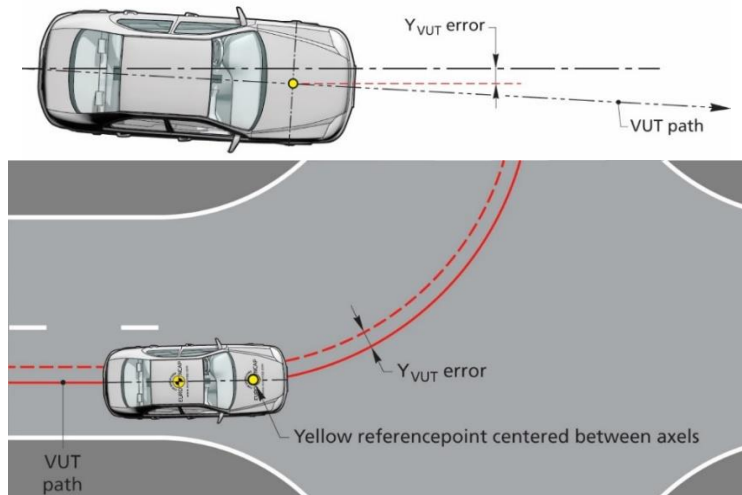


Figure 3-2: Lateral path error

3.4 Profiles for impact speed determination

- 3.4.1 A virtual profiled line is defined around both the front end and the rear end of the VUT. This line is defined by straight line segments connecting seven points that are equally distributed over the vehicle width minus 50mm on each side. The theoretical x,y coordinates are provided by the OEMs and verified by the test laboratory.

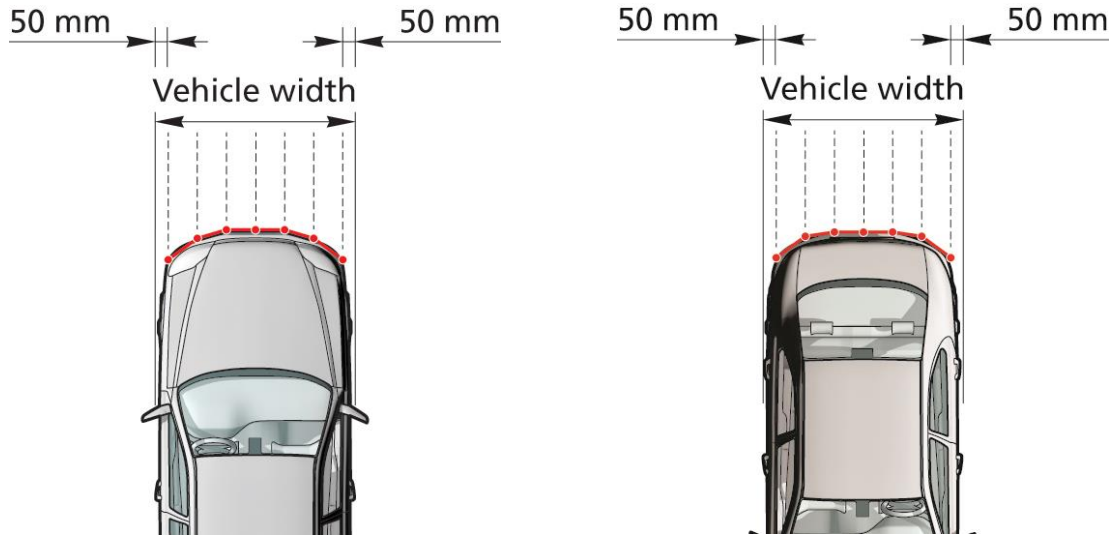


Figure 3-3: Virtual profiled line around both the front end (left) and rear end (right) of the VUT

- 3.4.2 Around the EPT a virtual box is defined which is used to determine the impact speed. The dimensions of this virtual box are shown in Figure 3-4 below, with reference points on the hip and a virtual point where the centreline of the dummy crosses the virtual box. The scenario descriptions in 7.2 illustrate which of the reference points is used in that scenario.

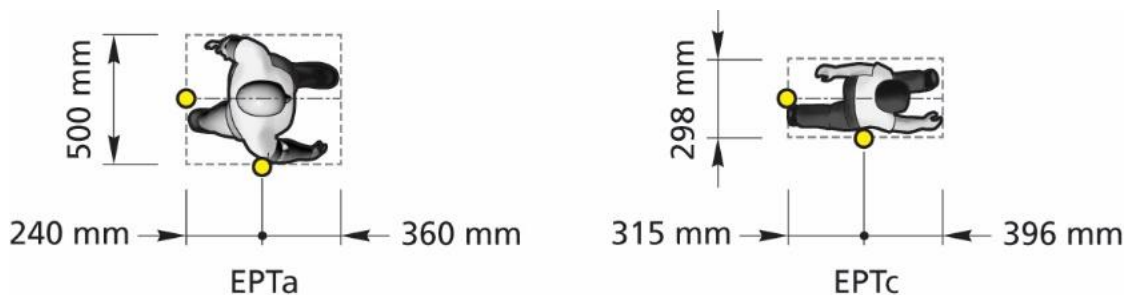


Figure 3-4: Virtual box dimensions around EPTa and EPTc

- 3.4.3 Around the EBT a virtual box is defined which is used to determine the impact speed. The dimensions of this virtual box are shown in Figure 3-5 below, with

reference points on the crank shaft, most forward point on the front wheel and most rearward point on the rear wheel. The scenario descriptions in 7.3 illustrate which of the reference points is used in that scenario.

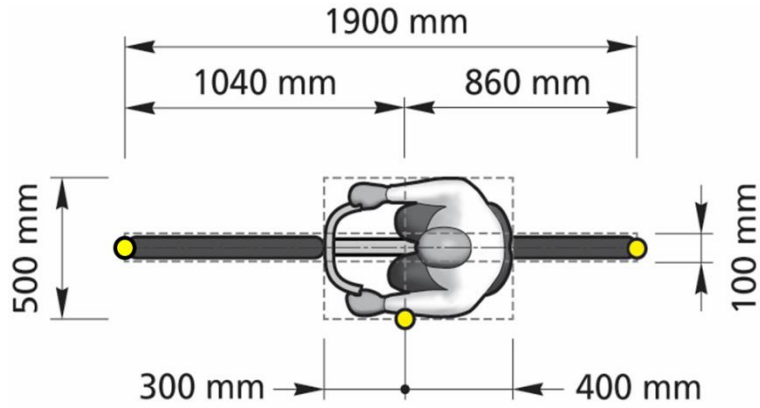
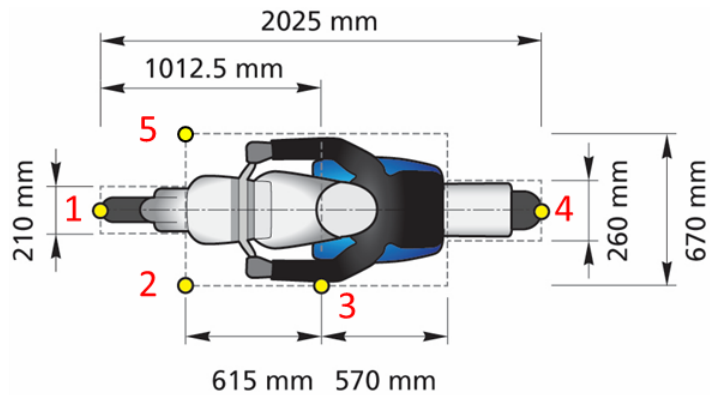


Figure 3-5: Virtual box dimensions around EBT

3.4.4 Around the EMT a virtual box is defined which is used to determine the impact speed. The dimensions of this virtual box are shown in Figure 3-6 below with reference points on the side mid position, most forward point on the front wheel and most rearward point on the rear wheel. The scenario descriptions in 7.4 illustrate which of the reference points is used in that scenario.



EMT Impact points:

1. Front wheel
2. Front left outer edge
3. Left Side
4. Rear wheel
5. Front right outer edge

Figure 3-6: Virtual box dimensions around EMT and impact points

4 MEASURING EQUIPMENT

- 4.1.1 Sample and record all inertial/GPS data at a frequency of at least 100Hz. Synchronise the VRU target data with that of the VUT using the DGPS time stamp.
- 4.1.2 Where assessment by video footage is permitted (CBDA only), footage must be recorded in high definition [1080p or above and $\geq 50\text{Hz}$].

4.2 Measurements and Variables

- 4.2.1 Time **T**
- **T₀**, time of test start. $T_0 = \text{TTC } 4\text{s}$ except for: **T₀**
 - CMRb: T_0 is 1 s. before $T_{\text{EMT_deceleration_start}}$
 - Scenarios involving steering: T_0 is 1 s. before T_{steer}
 - CPFA, CPNA, CPNCO, CPTA CPRA/CPRC: For the EPT, T_0 starts when the EPT enters the steady state distance (0.5s after EPT acceleration phase). For VUT, $T_0 = \text{TTC } 4\text{s}$
 - CBFA, CBNA, CBNAO: For EBT, T_0 starts when the EBT enters the steady state distance (0.5s after EBT acceleration phase). For VUT, $T_0 = \text{TTC } 4\text{s}$
 - T_{AEB} , time where AEB activates **T_{AEB}**
 - T_{FCW} , time where FCW activates **T_{FCW}**
 - T_{impact} , time where VUT impacts the target **T_{impact}**
 - T_{steer} , time where VUT enters in curve segment **T_{steer}**
 - $T_{\text{EMT_deceleration_start}}$, time where EMT starts decelerating in CMRb scenario (deceleration to be reached in [1.0] seconds) **T_{EMT_deceleration_start}**
 - $T_{\text{door_operation}}$, time where VUT driver door opening interface is operated **T_{door_operation}**
 - T_{open} , time when the door opens. **T_{open}**
- 4.2.2 Time (LSS-related tests)
- T_0 , time where manoeuvre starts with 2s straight path **T₀**
 - T_{LDW} , time where LDW activates **T_{LDW}**
 - T_{steer} , time where VUT enters in curve segment **T_{steer}**
 - T_{crossing} , time where VUT crosses the line or road edge **T_{crossing}**

4.2.3	Position of the VUT during the entire test	$\mathbf{X}_{VUT}, \mathbf{Y}_{VUT}$
4.2.4	Position of the EMT during the entire test	$\mathbf{X}_{EMT}, \mathbf{Y}_{EMT}$
4.2.5	Position of the target during the entire test	
	• for crossing scenarios	\mathbf{Y}_{target}
	• for longitudinal scenarios	\mathbf{X}_{target}
4.2.6	Speed of the VUT during the entire test	\mathbf{V}_{VUT}
	• V_{impact} , speed when VUT impacts the target	\mathbf{V}_{impact}
	• V_{rel_impact} , relative speed when VUT impacts the target	\mathbf{V}_{rel_impact}
4.2.7	Speed of the target during the entire test	\mathbf{V}_{target}
4.2.8	Yaw velocity of the VUT during the entire test	$\dot{\Psi}_{VUT}$
4.2.9	Yaw velocity of the EMT during the entire test	$\dot{\Psi}_{EMT}$
4.2.10	Yaw angle of the EMT during the entire test	Ψ_{EMT}
4.2.11	Longitudinal acceleration of the VUT during the entire test	\mathbf{A}_{VUT}
4.2.12	Longitudinal acceleration of the test target during the entire test	\mathbf{A}_{target}
4.2.13	Steering wheel velocity of the VUT during the entire test	Ω_{VUT}

4.3 Measuring Equipment

4.3.1 Equip the VUT and the VRU target (where self-propelling platforms are used) with data measurement and acquisition equipment to sample and record data with an accuracy of at least:

- VUT and target speed to 0.1km/h;
- VUT and target lateral and longitudinal position to 0.03m;
- VUT heading angle to 0.1°;
- VUT and target yaw rate to 0.1°/s;
- EMT yaw angle to 0.1°;
- VUT and target longitudinal acceleration to 0.1m/s²;
- VUT steering wheel velocity to 1.0 °/s.

4.3.2 To determine Xtarget at TFCW, Topen and Tdoor_operation in CBDA scenario for assessment, use of video recording (including reference markings for Xtarget) is permitted.

4.4 Data Filtering

4.4.1 Filter the measured data as follows:

4.4.1.1 Position and speed are not filtered and are used in their raw state.

4.4.1.2 Acceleration, yaw rate and VUT steering wheel velocity with a 12-pole phaseless Butterworth filter with a cut off frequency of 10Hz.

5 EURO NCAP VULNERABLE ROAD USER TARGETS

5.1 Specification

5.1.1 Conduct the tests in this protocol using the Euro NCAP Pedestrian Target (EPTa and EPTc), Euro NCAP Bicyclist Target (EBT) and Euro NCAP Motorcyclist Target (EMT) dressed in a black shirt and blue trousers, as shown in Figure 5-1 below. The EPT, EBT and EMT replicate the visual, radar, LIDAR and PMD attributes of a typical pedestrian, bicyclist and motorcyclist respectively, and is impactable without causing significant damage to the VUT.



Figure 5-1: Euro NCAP VRU Targets (EPTa, EPTc, EBT and EMT)

To ensure repeatable results, the propulsion system and VRU target must meet the requirements as detailed in ISO 19206 Road vehicles — Test devices for target vehicles, vulnerable road users and other objects, for assessment of active safety functions

- Part 2:2018: Requirements for pedestrian targets (**articulated targets only**)
- Part 4:2018: Requirements for bicyclist targets
- Part 5 (Draft): Requirements for Motorcyclist targets (including Micro-Doppler)

5.1.2 The VRU targets are designed to work with the following types of sensors:

- Radar (24 and 76-81 GHz)
- LIDAR
- Camera
- Ultrasonic sensors

When a manufacturer believes that any of the VRU targets is not suitable for another type of sensor system used by the VUT but not listed above, the manufacturer is asked to contact the Euro NCAP Secretariat.

6 TEST CONDITIONS

6.1 Test Track

6.1.1 Conduct tests on a dry (no visible moisture on the surface), uniform, solid-paved surface with a consistent slope between level and 1%. The test surface shall have a minimal peak braking coefficient (PBC) of 0.9.

6.1.2 The surface must be paved and may not contain any irregularities (e.g. large dips or cracks, manhole covers or reflective studs) that may give rise to abnormal sensor measurements within a lateral distance of 5.0m to either side of the test path and with a longitudinal distance of 20m ahead of the VUT when the test ends.

6.1.3 The presence of lane markings is allowed. However, testing may only be conducted in an area where typical road markings depicting a driving lane may not be parallel to the test path within 3.0m either side. Lines or markings may cross the test path, but may not be present in the area where AEB activation and/or braking after FCW is expected.

6.1.4 Junction and Lane Markings

6.1.4.1 Some scenarios described in this document require the use of a junction, where this is the case the scenario description will illustrate the scenario on a junction as in Figure 6-1. The main approach lane where the VUT path starts, (horizontal lanes in Figure 6-1) will have a width of 3.5m. The side lane (vertical lanes in Figure 6-1) will have a width of 3.25 to 3.5m. The lane markings on these lanes need to conform to one of the lane markings as defined in UNECE Regulation 130:

1. Dashed line starting at the same point where the radius transitions into a straight line with a width between 0.10 and 0.15m
2. Solid line with a width between 0.10 and 0.25m
3. Junction without any central markings

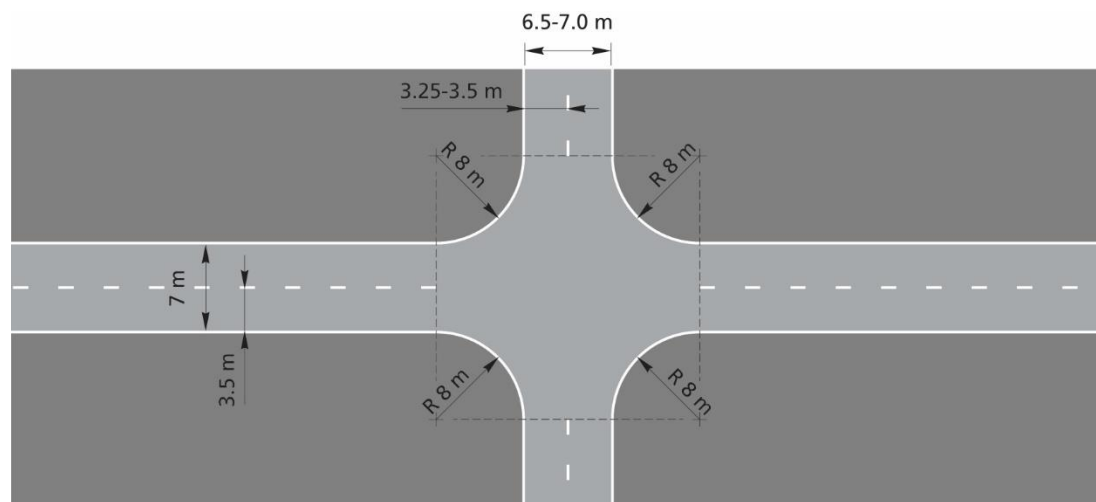


Figure 6-1: Layout of junction and the connecting lanes
(Dimensions reference centre of lane markings)

6.1.5 Lane Markings

6.1.5.1 Some tests described in this document require use of two different types of lane markings. These lane markings must conform to one of the lane markings as defined in UN Regulation R130 to mark a lane with a width of 3.5m to 3.7m when measured from the inside edge of the lane marking:

1. Dashed line with a width between 0.10 and 0.25m (0.10 and 0.15m for centerlines)
2. Solid line with a width between 0.10 and 0.25m

The lane markings should be sufficiently long to ensure that there is at least 20m of marking remaining ahead of the vehicle after the test is complete.

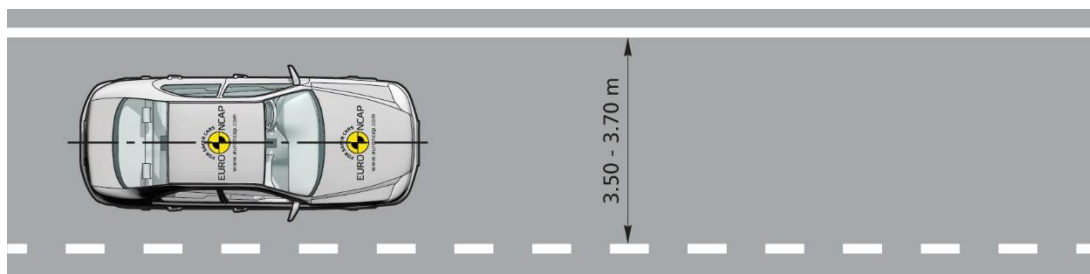


Figure 6-2 Layout of the lane markings
(Dimensions reference inside edge of lane marking)

6.2 Weather Conditions

6.2.1 Conduct tests in dry conditions with ambient temperature above 5°C and below 40°C. For night time tests, the lab may liaise with the OEM to be able to test at lower temperatures.

6.2.2 No precipitation shall be falling and horizontal visibility at ground level shall be greater than 1km. Wind speeds shall be below 10m/s to minimise VRU target and VUT disturbance. In case of wind speeds above 5m/s during test the validity of the tests is decided by lab discretion using the OEM predicted performance.

6.2.3 For daytime testing, natural ambient illumination must be homogenous in the test area and in excess of 2000 lux for daylight testing with no strong shadows cast across the test area other than those caused by the VUT or VRU target. Ensure testing is not performed driving towards, or away from the sun when there is direct sunlight.

6.2.4 Testing at low ambient lighting conditions, night time, are specified in ANNEX B.

6.2.5 Measure and record the following parameters preferably at the commencement of every single test or at least every 30 minutes:

- a) Ambient temperature in °C;
- b) Track Temperature in °C;
- c) Wind speed and direction in m/s;
- d) Ambient illumination in lux.

6.3 Surroundings

6.3.1 Conduct testing such that there are no other vehicles, highway infrastructure (except lighting columns during the low ambient lighting condition tests), obstructions (except where detailed in the test scenario), other objects or persons protruding above the test surface, that may give rise to abnormal sensor measurements within:

- 5m either side of the VUT test path during the full duration of the test and within a longitudinal distance 20m ahead of the VUT when the test ends,
- a circle of 2m radius around the VRU target, and
- the visual axis between the geometric centre of the VUT and the circle surrounding the VRU target.

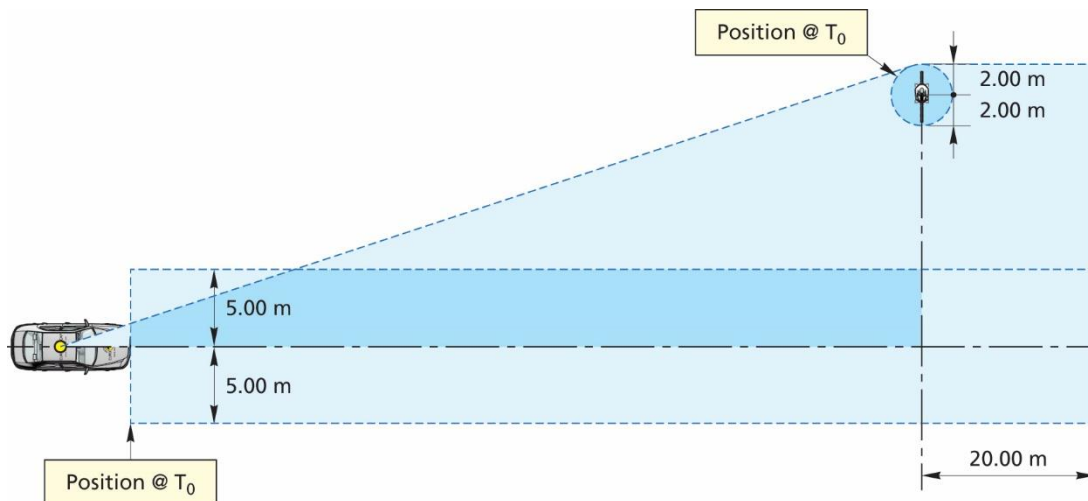


Figure 6-3 Free space requirements (farside scenario only)

6.3.2 Test areas where the VUT needs to pass under overhead signs, bridges, gantries or other significant structures are not permitted.

6.3.3 The general view ahead and to either side of the test area shall comprise of a wholly plain man made or natural environment (e.g. further test surface, plain coloured fencing or hoardings, natural vegetation or sky etc.) and must not comprise any highly reflective surfaces or contain any vehicle-like silhouettes that may give rise to abnormal sensor measurements.

6.4 VUT Preparation

6.4.1 AEB, FCW and LSS System Settings

6.4.1.1 Set any driver configurable elements of the AEB, FCW and or LSS system (e.g. the timing of the collision warning or the lane keep assist if present) to the middle setting or midpoint and then next latest setting similar to the examples shown in Figure 6-4 AEB and/or FCW system setting for testing .

When the vehicle is equipped with a Driver State Monitoring (DSM) which alters the AEB, FCW and/or LSS sensitivity according to the driver's state (e.g. distracted / attentive), this system shall be deactivated before the testing commences.

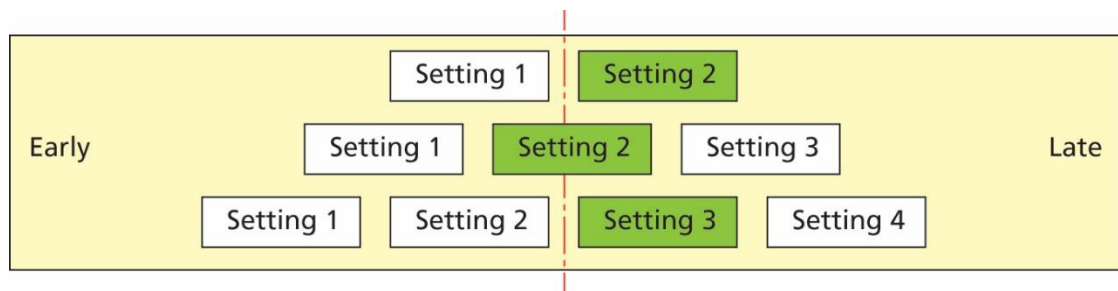


Figure 6-4 AEB and/or FCW system setting for testing

6.4.2 Deployable Pedestrian/VRU Protection Systems

When the vehicle is equipped with a deployable pedestrian/VRU protection system, this system shall be deactivated before the testing commences.

6.4.3 Tyres

Perform the testing with new original fitment tyres of the make, model, size, speed and load rating as specified by the vehicle manufacturer. It is permitted to change the tyres which are supplied by the manufacturer or acquired at an official dealer representing the manufacturer if those tyres are identical make, model, size, speed and load rating to the original fitment. Use inflation pressures corresponding to least loading normal condition.

Run-in tyres according to the tyre conditioning procedure specified in 7.1.3. After running-in maintain the run-in tyres in the same position on the vehicle for the duration of the testing.

6.4.4 Wheel Alignment Measurement

The vehicle should be subject to a vehicle (in-line) geometry check to record the wheel alignment set by the OEM. This should be done with the vehicle in kerb weight.

6.4.5 Unladen Kerb Mass

- 6.4.5.1 If applicable, fill up the tank with fuel to at least 90% of the tank's capacity of fuel.
- 6.4.5.2 Check the oil level and top up to its maximum level if necessary. Similarly, top up the levels of all other fluids to their maximum levels if necessary.
- 6.4.5.3 Ensure that the vehicle has its spare wheel on board, if fitted, along with any tools supplied with the vehicle. Nothing else should be in the car.
- 6.4.5.4 Ensure that all tyres are inflated according to the manufacturer's instructions for the least loading condition.
- 6.4.5.5 Measure the front and rear axle masses and determine the total mass of the vehicle. The total mass is the 'unladen kerb mass' of the vehicle. Record this mass in the test details.
- 6.4.5.6 Calculate the required ballast mass, by subtracting the mass of the test driver and test equipment from the required 200 kg interior load.

6.4.6 Vehicle Preparation

- 6.4.6.1 Fit the on-board test equipment and instrumentation in the vehicle. Also, fit any associated cables, cabling boxes and power sources.
- 6.4.6.2 Place weights with a mass of the ballast mass. Any items added should be securely attached to the car.
- 6.4.6.3 With the driver in the vehicle, weigh the front and rear axle loads of the vehicle.
- 6.4.6.4 Compare these loads with the "unladen kerb mass"
- 6.4.6.5 The total vehicle mass shall be within $\pm 1\%$ of the sum of the unladen kerb mass, plus 200kg. The front/rear axle load distribution needs to be within 5% of the front/rear axle load distribution of the original unladen kerb mass plus full fuel load. If the vehicle differs from the requirements given in this paragraph, items may be removed or added to the vehicle which has no influence on its performance. Any items added to increase the vehicle mass should be securely attached to the car.
- 6.4.6.6 Repeat paragraphs 6.4.6.3 and 6.4.6.4 until the front and rear axle loads and the total vehicle mass are within the limits set in paragraph 6.4.6.5. Care needs to be taken when adding or removing weight in order to approximate the original vehicle inertial properties as close as possible. Record the final axle loads in the test details. Record the axle weights of the VUT in the 'as tested' condition.
- 6.4.6.7 Verify the x-y coordinates for the virtual front end vehicle contour given by the manufacturer. When the coordinates given are within 10mm of those measured by the test laboratory, the coordinates as provided by the manufacturer will be used. When the coordinates are not within 10mm, the coordinates as measured by the laboratory will be used.
- 6.4.6.8 For purposes of the ELK elements of this procedure, vehicle dimensions shall be represented by a two-dimensional polygon defined by the lateral and longitudinal dimensions relative to the centroid of the vehicle using the standard ISO 8855 coordinate system. The corners of the polygon are defined by the lateral and

longitudinal locations where the plane of the outside edge of each tyre makes contact with the road. This plane is defined by running a perpendicular line from the outer most edge of the tyre to the ground at the wheelbase, as illustrated in Figure 6-5.

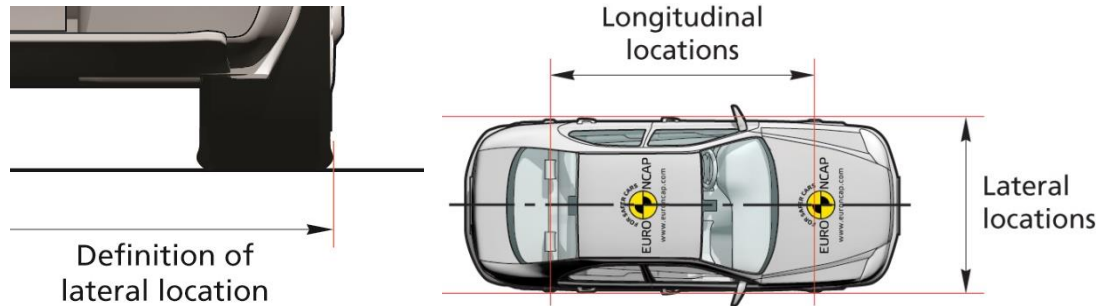


Figure 6-5: Vehicle dimensional measurements

6.4.6.9 Requirements for Steering Robot friction levels should be checked prior to testing the ELK elements of this procedure, as detailed in the Technical Bulletin TB 038.

7 TEST PROCEDURE

7.1 VUT Pre-test Conditioning

7.1.1 General

7.1.1.1 A new car is used as delivered to the test laboratory.

7.1.1.2 If requested by the vehicle manufacturer, drive a maximum of 100km on a mixture of urban and rural roads with other traffic and roadside furniture to ‘calibrate’ the sensor system. Avoid harsh acceleration and braking.

7.1.2 Brakes

7.1.2.1 Condition the vehicle’s brakes in the following manner, if it has not been done before or in case the lab has not performed a 100km of driving:

- Perform twenty stops from a speed of 56km/h with an average deceleration of approximately 0.5 to 0.6g.
- Immediately following the series of 56km/h stops, perform three additional stops from a speed of 72km/h, each time applying sufficient force to the pedal to operate the vehicle’s antilock braking system (ABS) for the majority of each stop.
- Immediately following the series of 72km/h stops, drive the vehicle at a speed of approximately 72km/h for five minutes to cool the brakes.

7.1.3 Tyres

7.1.3.1 Condition the vehicle’s tyres in the following manner to remove the mould sheen, if this has not been done before for another test or in case the lab has not performed a 100km of driving:

- Drive around a circle of 30m in diameter at a speed sufficient to generate a lateral acceleration of approximately 0.5 to 0.6g for three clockwise laps followed by three anticlockwise laps.
- Immediately following the circular driving, drive four passes at 56km/h, performing ten cycles of a sinusoidal steering input in each pass at a frequency of 1Hz and amplitude sufficient to generate a peak lateral acceleration of approximately 0.5 to 0.6g.
- Make the steering wheel amplitude of the final cycle of the final pass double that of the previous inputs.

7.1.3.2 In case of instability in the sinusoidal driving, reduce the amplitude of the steering input to an appropriately safe level and continue the four passes.

7.1.4 AEB/FCW & LSS System Check

7.1.4.1 Before any testing begins, perform a maximum of ten runs at the lowest test speed the system is supposed to work, to ensure proper functioning of the system.

7.2 Car-to-Pedestrian Scenarios

The performance of the system is assessed in different scenarios. For AEB Pedestrian the scenarios are considered in these sections:

	CPFA	CPNA	CPNCO	CPLA		CPTA				CPRA/CPRC	
Section	7.2.1	7.2.2	7.2.3	7.2.4		7.2.5				7.2.6	
Type of test	AEB			AEB	FCW/ESS	AEB				AEB	
VUT speed [km/h]	10-60			20-60	50-80	10,15,20	10			4,8	
VUT direction	Forward			Forward		Farside turn		Nearside turn		Rearward	
Target speed [km/h]	8	5		5	5	5				0	5
Target direction	Coming from Farside	Coming from Nearside		Forward		Coming from Opposite direction	Coming from Same direction	Coming from Opposite direction	Coming from Same direction	Standing, Direction facing selected by lab	Coming from nearside
Impact location [%]	50	25,75*	50	50	25	50				25,50,75	50
Dummy Articulation	Yes – as per test speed			Yes		Yes				Articulated dummy in 'off' position	Yes
Lighting condition	Day/Night			Day/Night		Day				Day	
Vehicle lights (night)	Low beam			High beam		N/A				N/A	
Streetlights (night)	Streetlights			No streetlights		N/A				N/A	

*For the CPNA-75 scenario, an additional test is performed during both day and night-time as part of the prerequisite verification at a test speed of 20km/h and with an EPTa speed of 3 km/h.

7.2.1 Car-to-Pedestrian Farside Adult

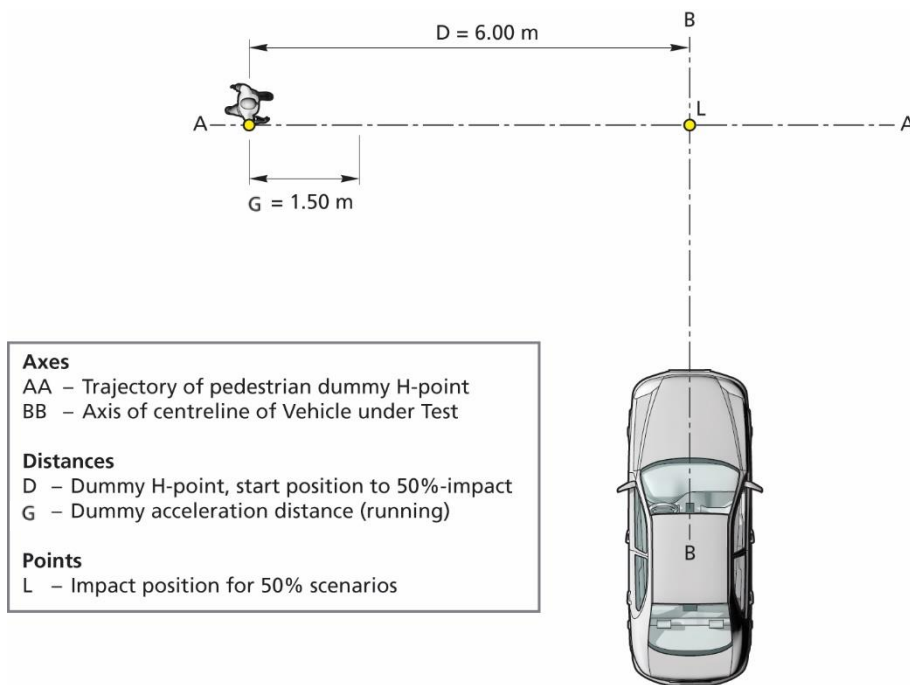


Figure 7-1: CPFA-50 scenario, Adult running from Farside

7.2.2 Car-to-Pedestrian Nearside Adult

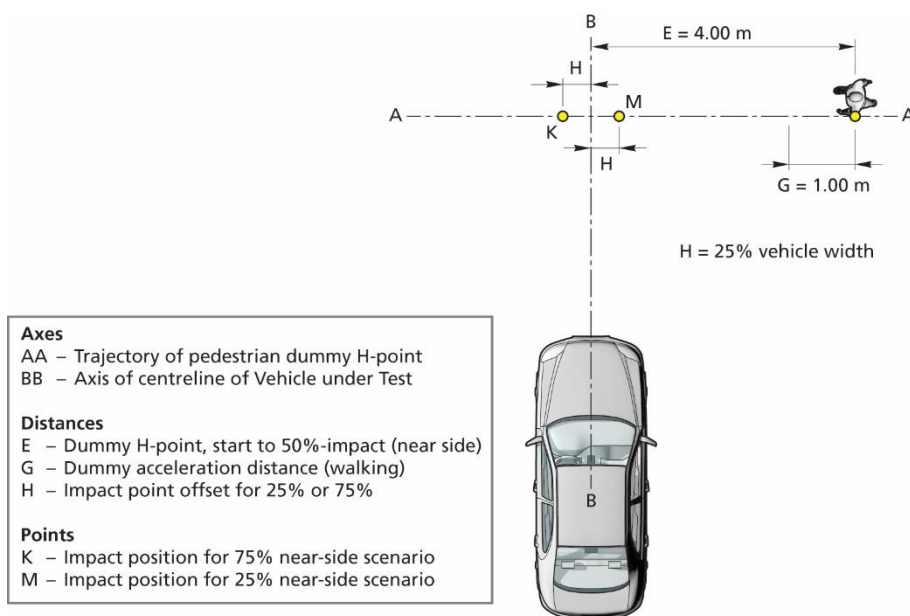


Figure 7-2: CPNA-25 & CPNA-75 scenarios, Walking Adult from Nearside

7.2.3 Car-to-Pedestrian Nearside Child Obstructed

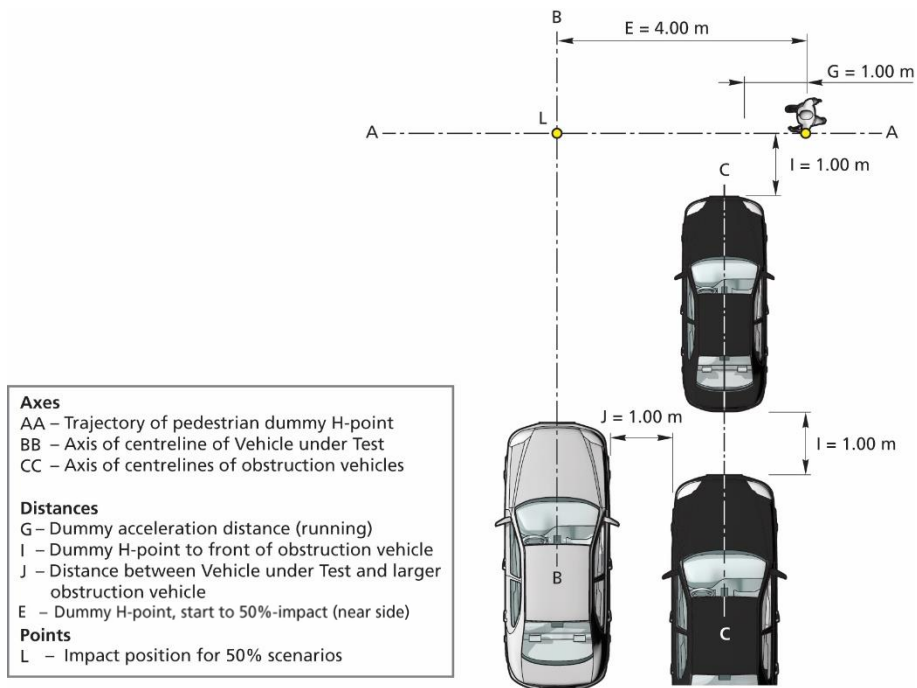


Figure 7-3: CPNCO-50 scenario, Running Child from Nearside from Obstruction (Annex A)

7.2.4 Car-to-Pedestrian Longitudinal Adult

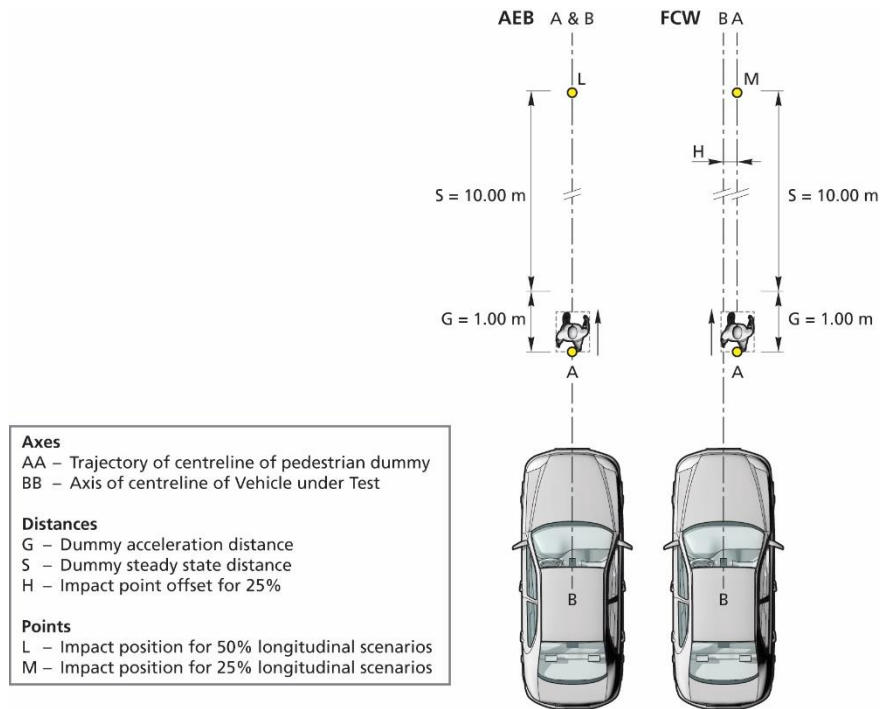


Figure 7-4: CPLA scenario, Longitudinal walking Adult

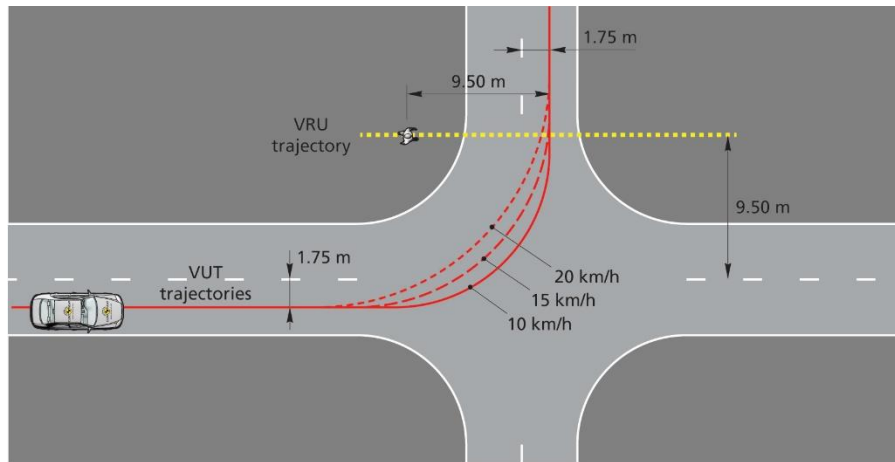
7.2.5 Car-to-Pedestrian Turning Adult

For the CPTA scenarios, for the VUT assume an initial straight-line path followed by a turn (clothoid, fixed radius and clothoid as specified in section 7.2.5.1), followed again by a straight line, hereby known as the test path.

These tests are conducted without the use of the turn signals.

The VUT will follow a straight-line path in the approach lane which will be 1.75m from the centre of the centre dashed lane marking of the VUT lane.

The 4 different scenarios of CPTA are represented below: f for farside turn, n for nearside turn, s for same direction, o for opposite direction



Axes
 AA – Trajectory of pedestrian dummy H-point
 BB – Axis of centerline of Vehicle under Test

Distances
 E – Dummy H-point, start to 50%-impact
 G – Dummy acceleration distance (walking)

Point
 K – Impact position for 50% near-side scenario

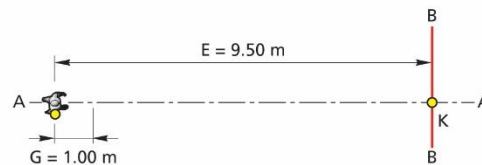
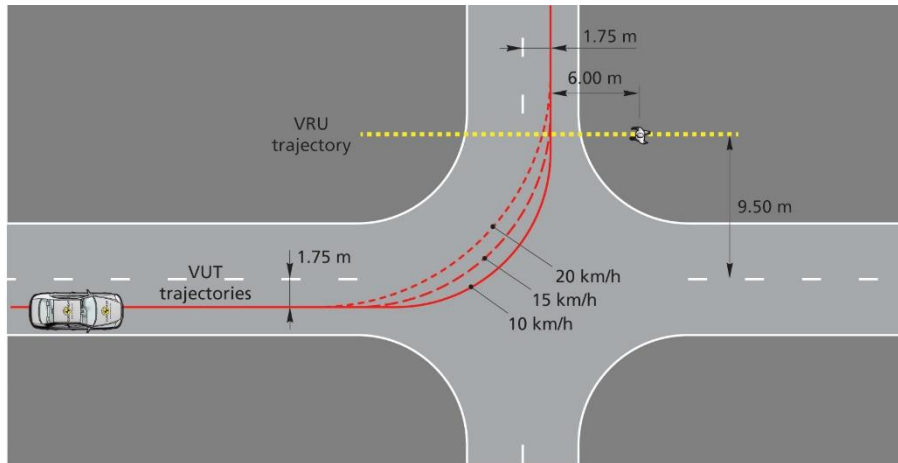


Figure 7-5: CPTAfs scenario – VUT left turn, pedestrian crossing from farside



Axes
 AA – Trajectory of pedestrian dummy H-point
 BB – Axis of centerline of Vehicle under Test

Distances
 E – Dummy H-point, start to 50%-impact
 G – Dummy acceleration distance (walking)

Point
 K – Impact position for 50% near-side scenario

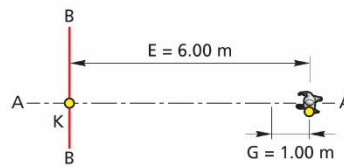
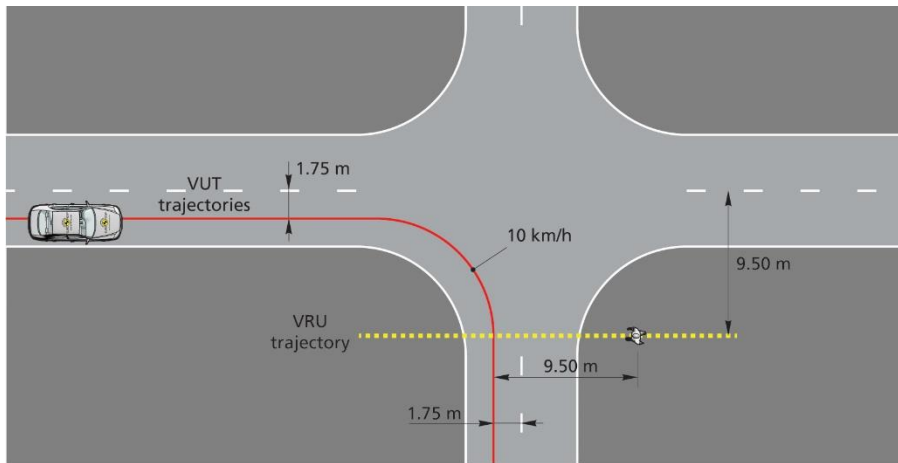


Figure 7-6 CPTAfo scenario – VUT left turn, pedestrian crossing from nearside



Axes
 AA – Trajectory of pedestrian dummy H-point
 BB – Axis of centerline of Vehicle under Test

Distances
 E – Dummy H-point, start to 50%-impact
 G – Dummy acceleration distance (walking)

Point
 K – Impact position for 50% near-side scenario

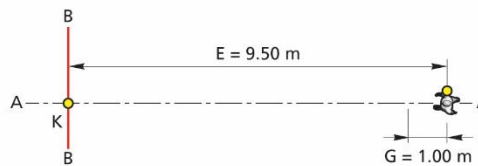
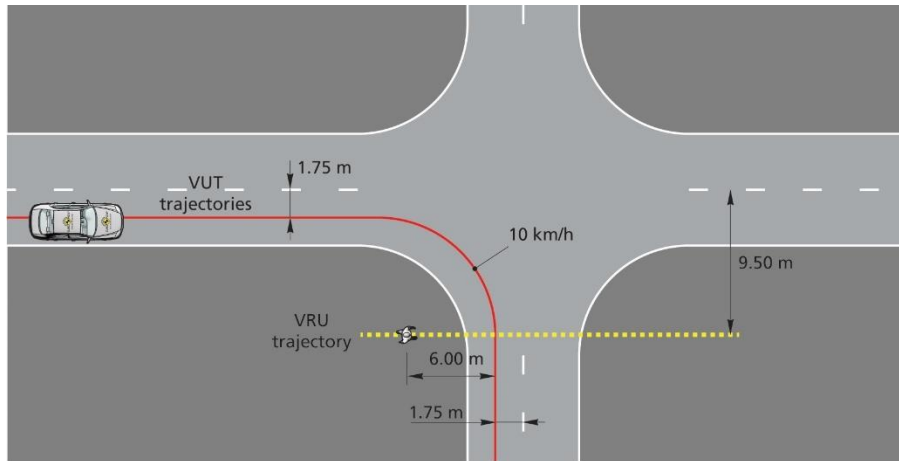


Figure 7-7 CPTAfo scenario – VUT right turn, pedestrian crossing from farside



Axes
 AA – Trajectory of pedestrian dummy H-point
 BB – Axis of centerline of Vehicle under Test

Distances
 E – Dummy H-point, start to 50%-impact
 G – Dummy acceleration distance (walking)

Point
 K – Impact position for 50% near-side scenario

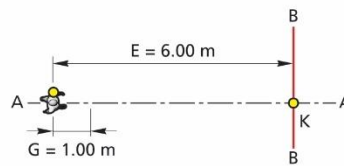
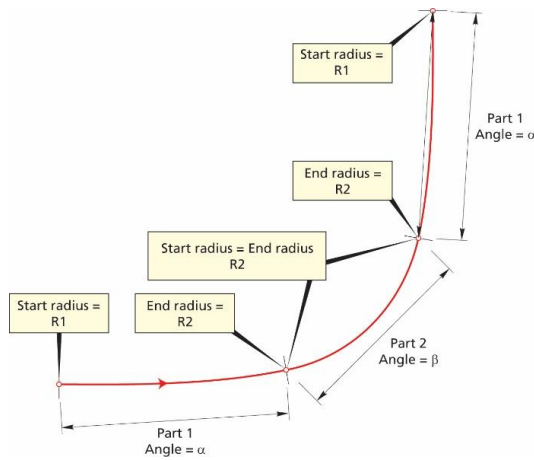


Figure 7-8 CPTAn scenario – VUT right turn, pedestrian crossing from nearside

7.2.5.1 For CPTA, CBTA and CMFtap, the following parameters should be used to create the test paths.



Test speed	Part 1 (clothoid)			Part 2 (constant radius)			Part 3 (clothoid)		
	Start Radius R1 [m]	End Radius R2 [m]	Angle α [deg]	Start Radius R2 [m]	End Radius R2 [m]	Angle β [deg]	Start Radius R2 [m]	End Radius R1 [m]	Angle α [deg]
10 km/h to Farside	1500	9.00	20.62	9.00	9.00	48.76	9.00	1500	20.62
15 km/h to Farside	1500	11.75	20.93	11.75	11.75	48.14	11.75	1500	20.93
20 km/h to Farside	1500	14.75	21.79	14.75	14.75	46.42	14.75	1500	21.79
10 km/h to Nearside	1500	8.00	22.85	8.00	8.00	44.30	8.00	1500	22.85

7.2.6 Car-to-Pedestrian Reverse Adult/Child

In the Car-to-Pedestrian Reverse scenario, a combination of the EPTa and EPTc is used to ensure robust performance. The following table shows which of the pedestrian targets is used in the different speed and overlap combinations.

Speed	Overlap	CPRA/Cs	CPRA/Cm
4 km/h	25%	EPTc	
	50%	EPTa	EPTa
	75%	EPTc	
8 km/h	25%	EPTa	
	50%	EPTc	EPTc
	75%	EPTa	

7.2.6.1 Where the dummy is stationary (CPRA/Cs), the dummy should be used in its resting position with the articulation being switched off (i.e. not the static dummy posture as defined in ISO 19206-2).

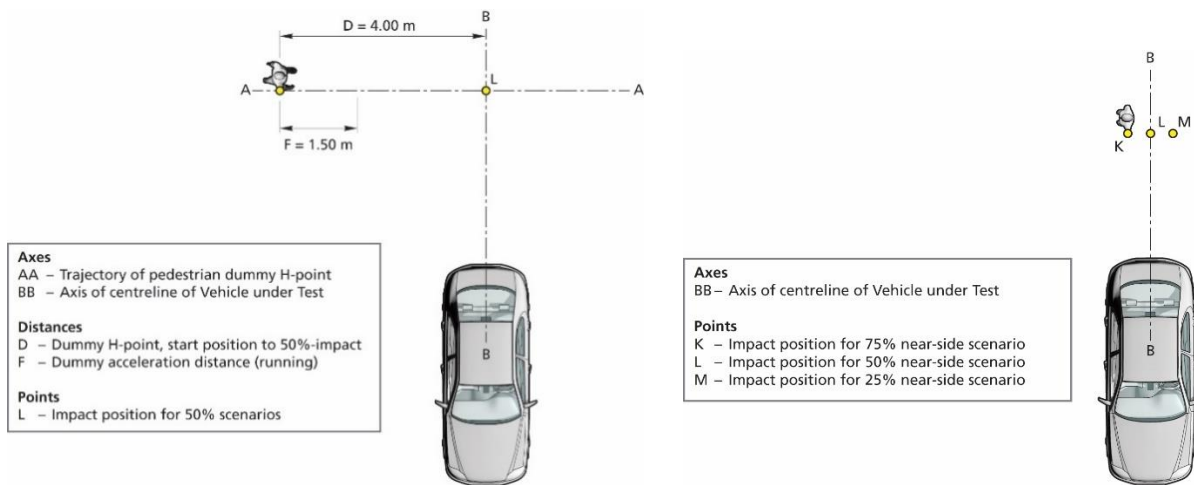


Figure 7-9: CPRA/CPRC scenario, Pedestrian from Nearside (left) and Stationary (right)

7.3 Car-to-Bicyclist Scenarios

For AEB Bicyclist the scenarios are considered in these sections:

	CBFA	CBNA		CBLA		CBTA		CBDA
Paragraph	7.3.1	7.3.2 & 7.3.3		7.3.4		7.3.5		7.3.6
Type of test	AEB	AEB		AEB	FCW/ESS	AEB		
VUT speed [km/h]	10-60	10-60		25-60	50-80	10,15,20	10	0
VUT direction	Forward	Forward		Forward		Farside turn	Nearside turn	Stationary
Obstruction	No	No	Yes**	No		No		Yes
Target speed [km/h]	20	15	10	15	20	15		15
Target direction	Farside	Nearside		Forward		Opposite direction		Forward
Impact location [%]	50	50		50	25	50		Most rearward point of closed driver door*
Lighting condition	Day	Day		Day		Day		Day

*Reference point is the same for front doors and rear doors.

** Distance between obscuration vehicles [0.1 ~ 0.3]m.

7.3.1 Car-to-Bicyclist Farside Adult

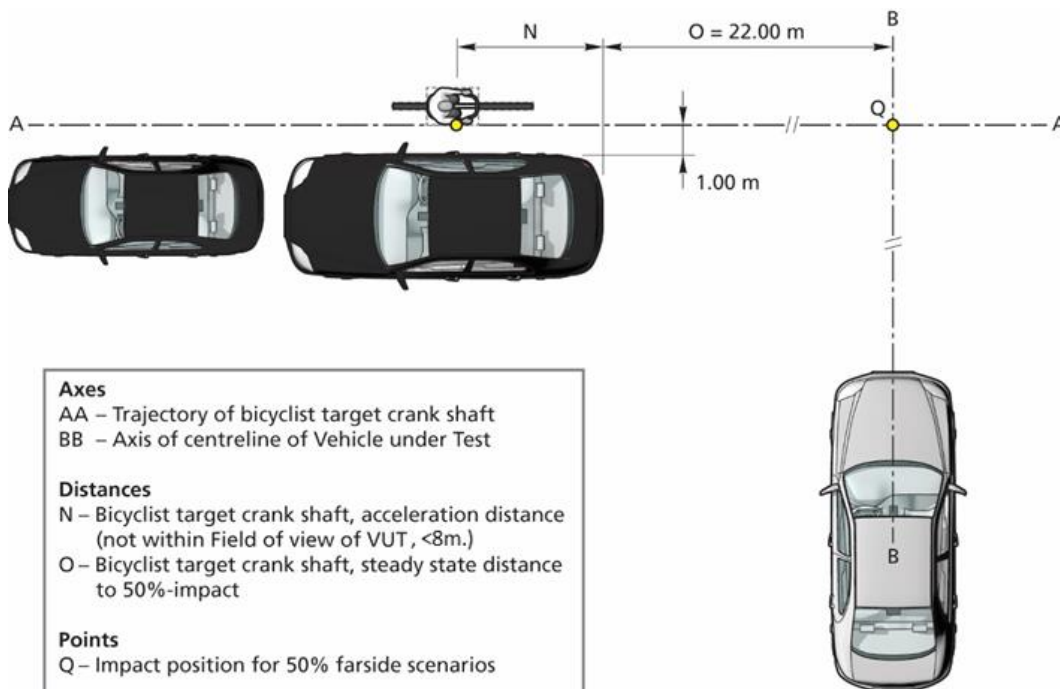


Figure 7-10: CBFA scenario, Bicyclist from Farside

7.3.2 Car-to-Bicyclist Nearside Adult

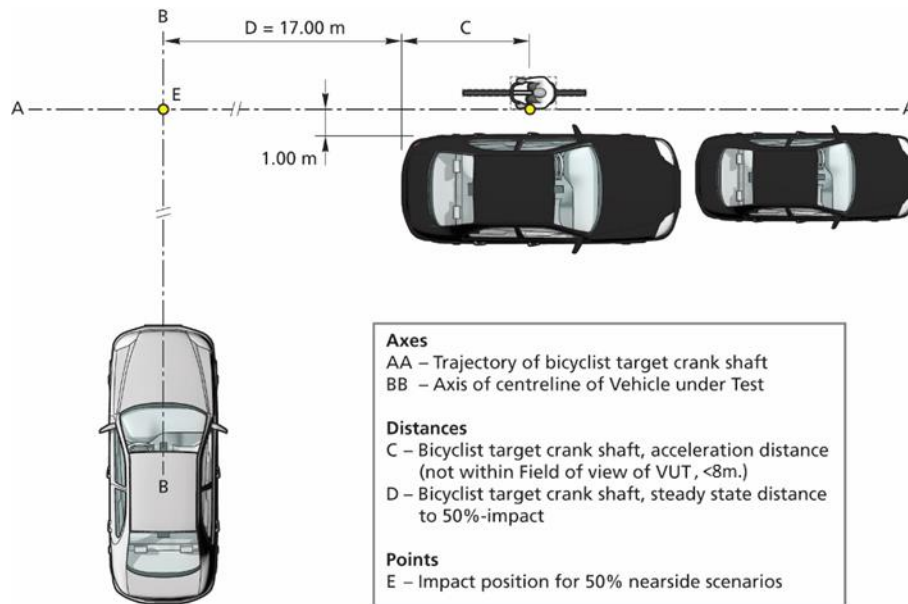


Figure 7-11: CBNA scenario, Bicyclist from Nearside

7.3.3 Car-to-Bicyclist Nearside Adult Obstructed

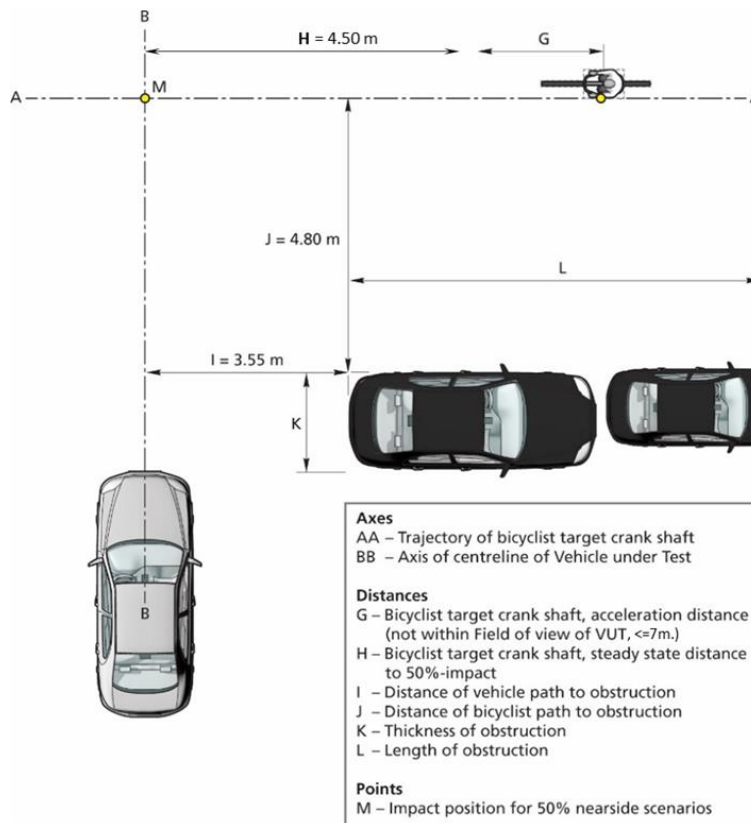


Figure 7-12: CBNAO scenario, Bicyclist from Nearside (obstructed)

7.3.4 Car-to-Bicyclist Longitudinal Adult

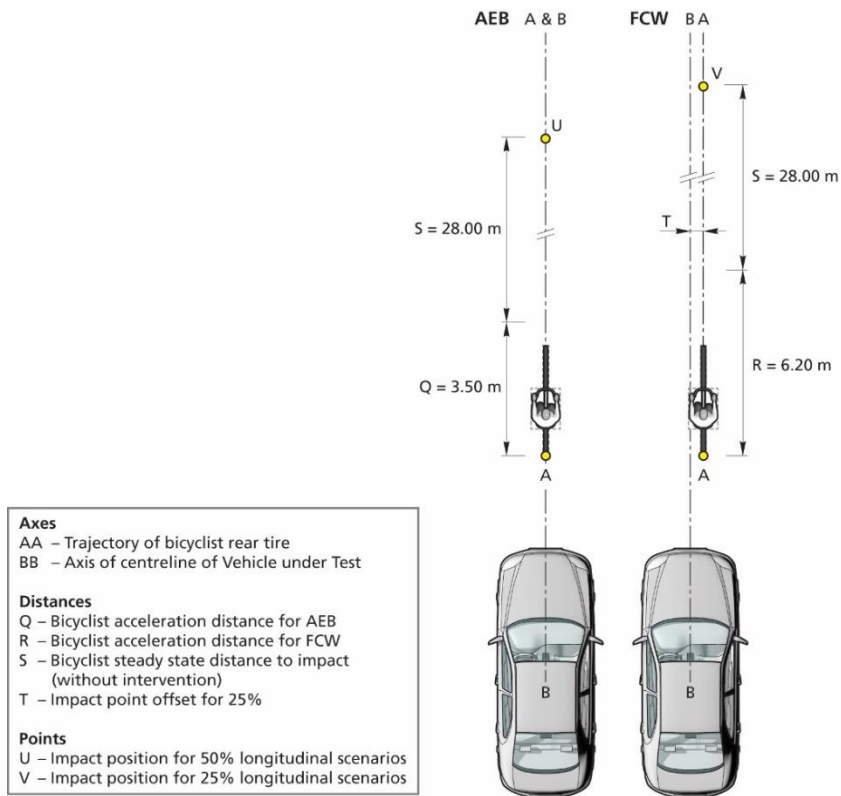


Figure 7-13: CBLA scenarios, Longitudinal Bicyclist (AEB left & FCW right)

Note: the reflected acceleration distances Q and R are meant to suit the limited usable length of a belt-driven carrier platform. If a self-propelled carrier platform is used for the execution of CBLA, the acceleration distances Q and R can be increased according to the acceleration capabilities of the platform carrier.

7.3.5 Car-to-Bicyclist Turning Adult

- 7.3.5.1 For the CBTA scenarios, for the VUT assume an initial straight-line path followed by a turn (clothoid, fixed radius and clothoid as specified in section 7.2.5.1, followed again by a straight line, hereby known as the test path. The direction indicator is applied at $1.0s \pm 0.5s$ before TSteer.
- 7.3.5.2 The VUT will follow a straight-line path in the approach lane which will be 1.75m from the centre of the centre dashed lane marking of the VUT lane. The EBT will follow a straight-line path which will be respectively 2.75m (farside turn) and 5.00m (nearside turn) from the centre of the centre dashed lane marking of the VUT lane. Steady state speed of EBT starts at 4sec TTC.
- 7.3.5.2.1 The paths of the VUT and EBT will be synchronised so that the front reference point of the EBT impacts the VUT at 100% overlap, assuming no system reaction. farside turn with opposite direction -> CBTAfo

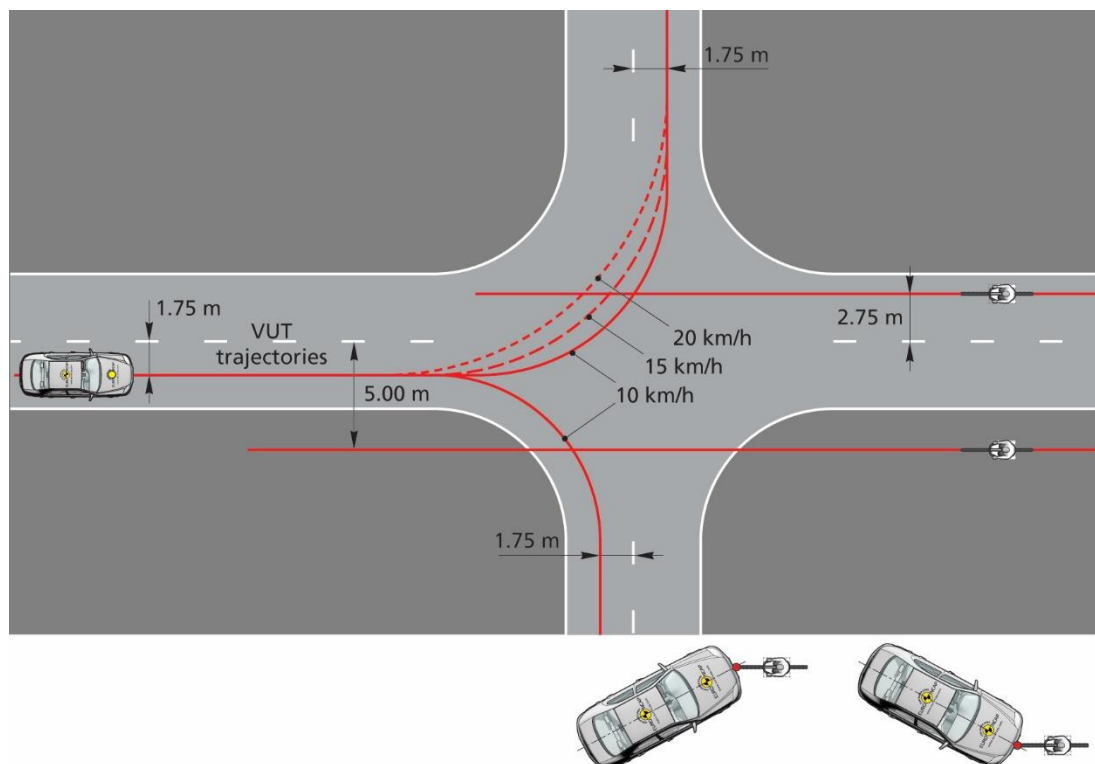


Figure 7-14: CBTAfo scenarios, Turning cycling Adult

7.3.6 Car-to-Bicyclist Dooring

7.3.6.1 For the CBDA scenario a bicycle is traveling in a straight line at 15 km/h beside the parked vehicle.

7.3.6.2 In the first run, the EBT passes the parking car without operation on the door opening interface to assess the information given to the driver, where applicable.

7.3.6.3 In the second run (when applicable), the VUT driver door opening interface will be operated in a manner that for a warning system Topen and for a retention system Tdoor operation is achieved when the bicyclist front reference point is @ 8 m + [0,5] m from the most rearward point of the driver door.



Figure 7-15: Reference point and direction relative to the VUT for dooring scenario

7.3.6.4 Door opening (manually operated):

Pull door handle or activate other door opening interface (e.g. push a button) in a manner that would open the door to exit the car in a normal non-hazard situation, while pushing the door open. Emergency exit functions are permitted where triggered by an additional action (e.g. second pull).

For CBDA, all tests shall be performed with the VUT in parking position within 60 seconds (180 seconds from 2026 onwards) after propulsion system turned off with the driver in unbelted state.

The widest outside structure (without mirrors) of VUT and obstruction car are aligned one meter from the path of the VRU while the central-axis of the cars are in parallel to VUT path. The distance between VUT and obstruction car is currently 2m and is intended to be lowered from 2026 onwards.

The obstruction vehicle to be used is the smaller obstruction vehicle as defined in Annex A.1.

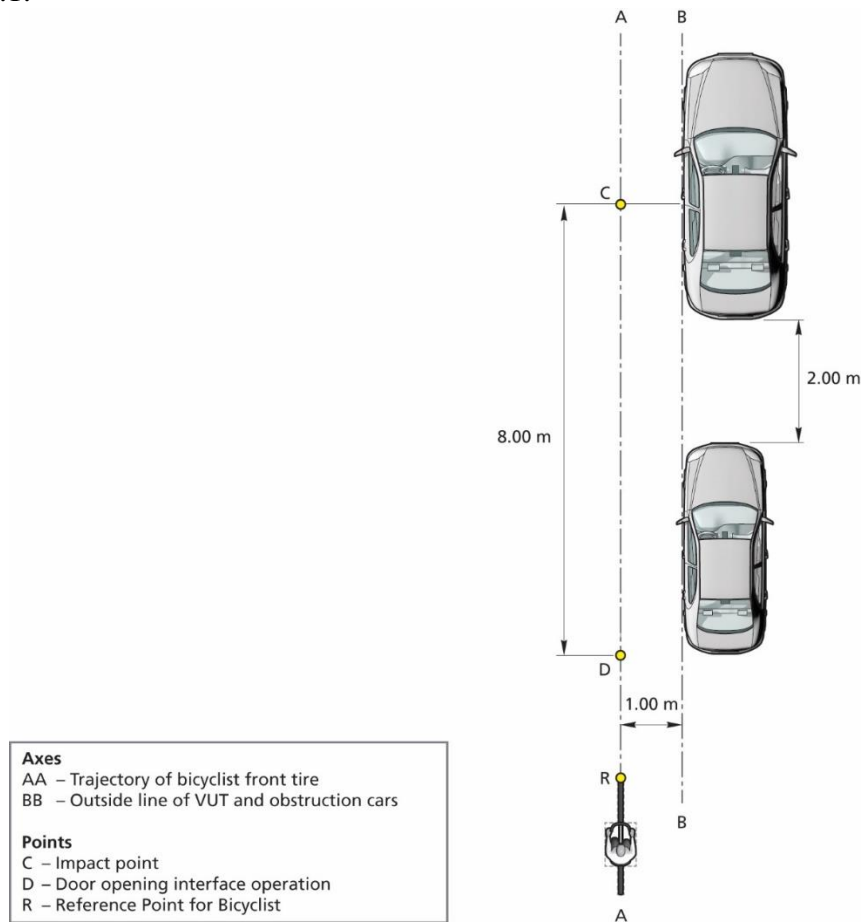


Figure 7-16 CBDA scenarios, Dooring cycling Adult

7.4 Car-to-Motorcyclist Scenarios

For AEB/LSS Motorcyclist the scenarios are considered in these sections:

	CMRs		CMRb	CMFtap	CMoncoming	CMovertaking	
Paragraph	7.4.1		7.4.2	7.4.3	7.4.5	7.4.6	
Type of test	AEB	FCW	AEB/FCW	AEB	LSS	LSS	
VUT speed [km/h]	10-60	30-60	50	10,15,20	72	50	72
Target speed [km/h]	0		50	30,45,60	72	60	80
VUT direction	Forward		Forward	Farside turn	Forward	Forward	
Impact location [%]	50		25	50	10	EMT front wheel to VUT rear wheel	
Lighting condition	Day		Day	Day	Day	Day	

7.4.1 Car-to-Motorcyclist Rear stationary

The CMRs scenario will be performed with 5km/h incremental steps in speed within the complete speed range and with a 50% hit-point as shown in the figure below.

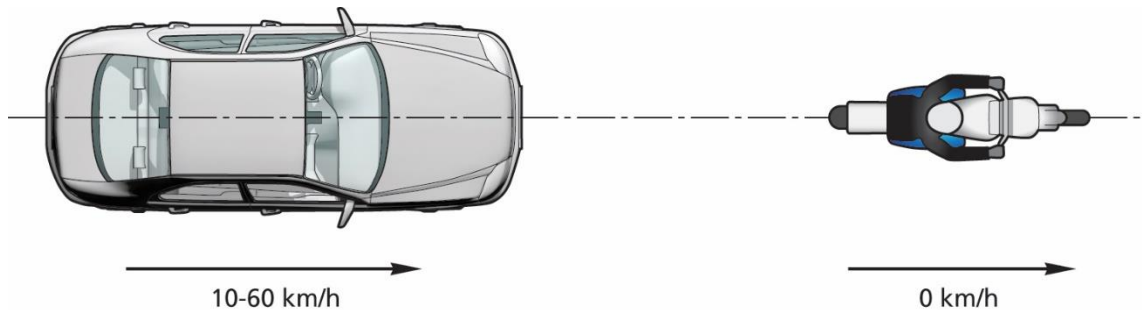


Figure 7-17: CMRs scenario

7.4.2 Car-to-Motorcyclist Rear braking

The CMRb tests will be performed at a fixed speed of 50km/h for both VUT and EMT with -4m/s^2 EMT acceleration and 12 and 40m headway. These tests will be performed with 25% hit-point as shown on the figure below.

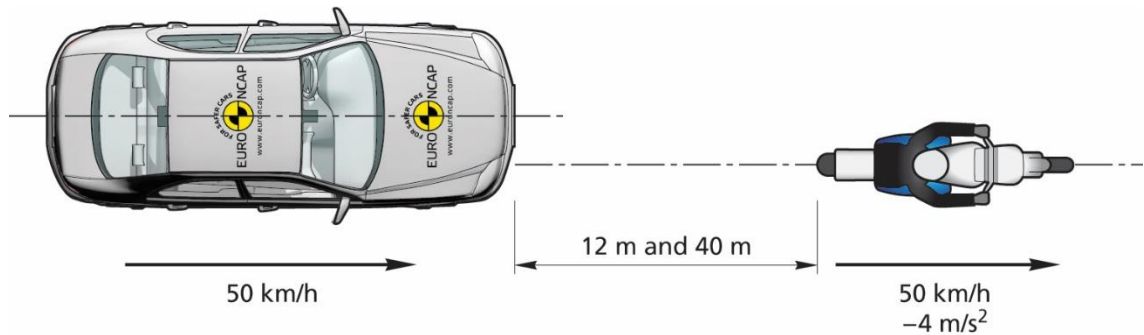


Figure 7-18: CMRb scenario

For CMRb, $T_0 = T_{\text{EMT_deceleration_start}} - 1\text{s}$.

T_0 begins 1 second before GVT starts deceleration, for tolerance monitoring purposes. The desired deceleration of the EMT shall be reached within [1.0] seconds ($T_0 + 2.0\text{s}$) which after the EMT shall remain within $\pm [0.5]$ km/h of the reference speed profile, derived from the desired deceleration, until the vehicle speed equals 1 km/h.

7.4.3 Car-to-Motorcyclist Front turn across path

- 7.4.3.1 For the CMFtap scenario, for the VUT assume an initial straight-line path followed by a turn (clothoid, fixed radius and clothoid as specified in section 7.2.5.1), followed again by a straight line, hereby known as the test path. The direction indicator is applied at $1.0s \pm 0.5s$ before T_{steer} .
- 7.4.3.2 The EMT will follow a straight-line path in the lane adjacent to the VUT's initial position, in the opposite direction to the VUT. The straight-line path of the VUT and target will be 1.75m from the centre of the centre dashed lane marking of the VUT lane.
- 7.4.3.3 The paths of the VUT and EMT will be synchronised so that the front edges of the vehicle meet with a lateral position that gives a 100% overlap (assuming no system reaction) of the width of the VUT. The VUT longitudinal path error shall be within $\pm [0.5]$ m when determined in accordance with section 3.2.1

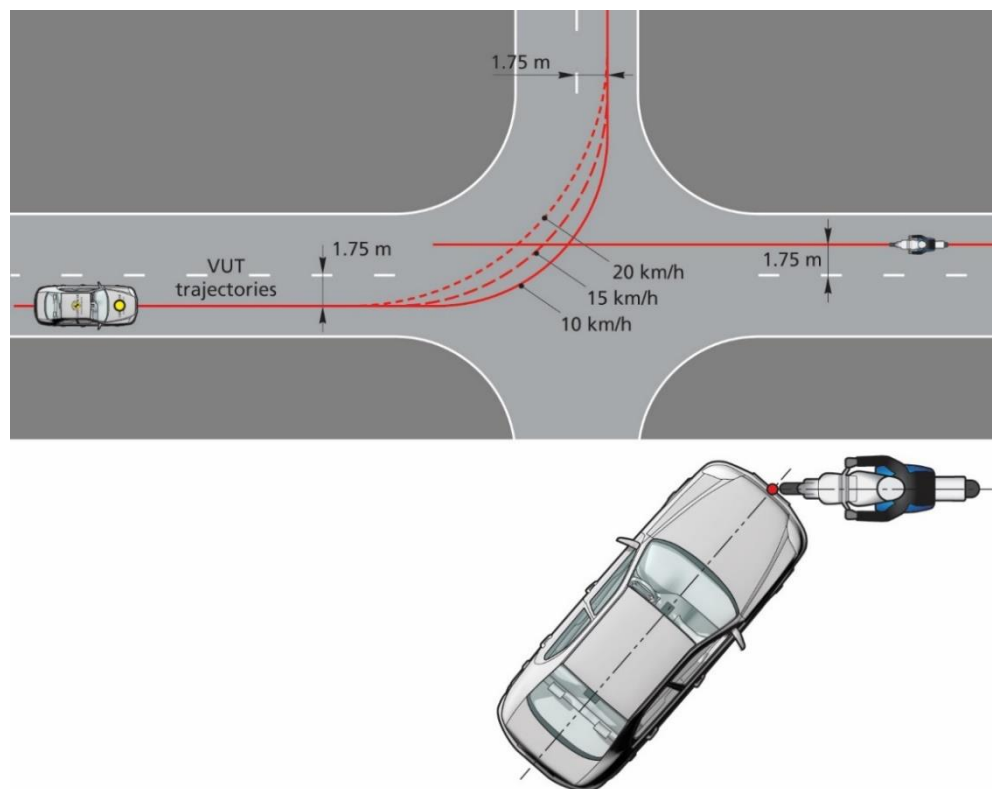


Figure 7-19: CMFtap scenario VUT and EMT paths

- 7.4.3.4 The CMFtap scenarios are all combinations of VUT speeds of 10, 15 and 20 km/h combined with EMT speeds of 30, 45 and 60 km/h.
- 7.4.4 Car to Motorcyclist LSS Test Scenarios
- 7.4.4.1 The performance of the VUT LSS system is assessed in two scenarios that are

- applicable to the Emergency Lane Keep (only when default on).
- 7.4.4.2 Tests in all scenarios will be performed with 0.1 m/s incremental steps within the lateral velocities specified for the test scenarios.
- 7.4.4.3 For testing purposes, assume an initial straight-line path followed by a fixed radius as specified for the test scenarios, followed again by a straight line, hereby known as the test path. Control the VUT with driver inputs or using alternative control systems that can modulate the vehicle controls as necessary to perform the tests.
- 7.4.4.4 The vehicle manufacturer shall provide information describing the location when the closed loop path and/or speed control shall be ended so as not to interfere with the system intervention for each test. Otherwise for each lateral velocity, two calibration runs shall be performed in order to determine when the system activates. Compare steering wheel torque, vehicle speed or yaw rate of both runs and determine where there is a notable difference that identifies the location of intervention.
- Run 1: Complete the required test path with the system turned OFF and measure the control parameter
- Run 2: Complete the required test path with the system turned ON and measure the control parameter
- 7.4.4.5 Complete the tests while ending the closed loop control before system activation as defined in 7.4.4.4 . In the case of calibration runs the release of steering control should occur on the test path and no less than 5m longitudinally before the location of intervention. If the intervention point of the function occurs before the target V_{latVUT} is reached, the test laboratory will conduct a verification test using a straight-line vehicle path intersecting with a curved lane marking.
- 7.4.4.6 If the intervention point of the function occurs before the target V_{latVUT} is reached, the test laboratory will conduct a verification check of the $V_{latVUT}=0.6\text{m/s}$ test case (both for dashed and solid line) using a straight-line vehicle path intersecting with a curved lane marking which results in the yaw angle (Ψ_{VUT}) shown in 7.4.5.3. A maximum of 3 runs shall be conducted (both for solid and dashed line), where the system intervention and resulting DTLE is monitored.
- 7.4.4.7 When the closed loop path ends, the driver's hands or the control will remain passive on the steering wheel without applying deliberate force but reflecting the behaviour of an inattentive driver holding the steering wheel.
- 7.4.5 Car-to-Motorcyclist oncoming
- 7.4.5.1 For the oncoming scenario the EMT will follow a straight line path at 72 km/h in the lane adjacent to the VUT's initial position, in the opposite direction to the VUT which also drives at 72 km/h. The straight line path of the target will be 1m for the EMT from the centre of the centre dashed lane marking of the VUT lane.

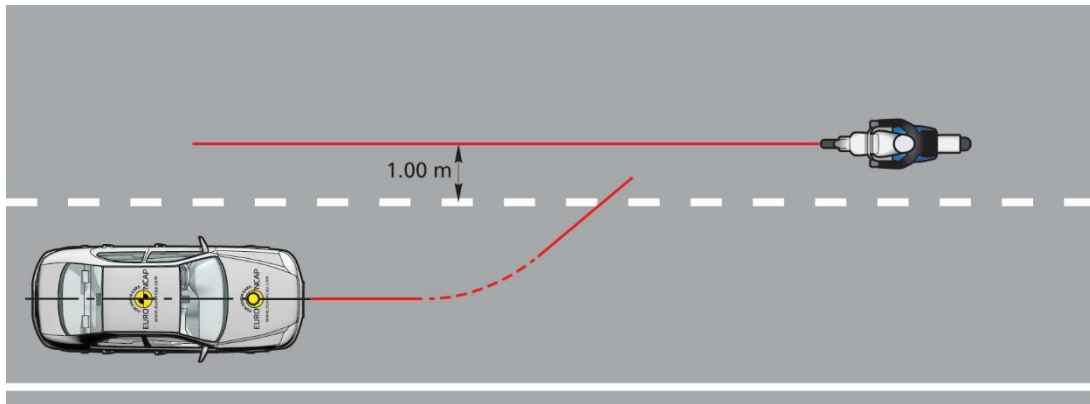


Figure 7-20: CM oncoming vehicle scenario paths

7.4.5.2 The paths of the VUT and EMT will be synchronised so that the outermost front left impact point of the EMT’s virtual box (impact point 2 in Figure 3-6: Virtual box dimensions around EMT and impact points) impacts the VUT at 10% of the width of the VUT (assuming no system reaction).

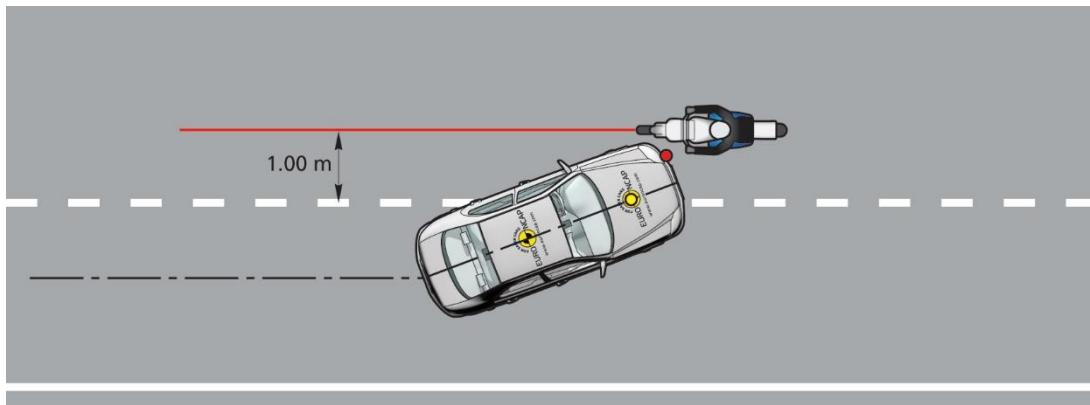


Figure 7-21: CM oncoming motorcycle impact location

7.4.5.3 The following parameters should be used to create the test paths for the tests:

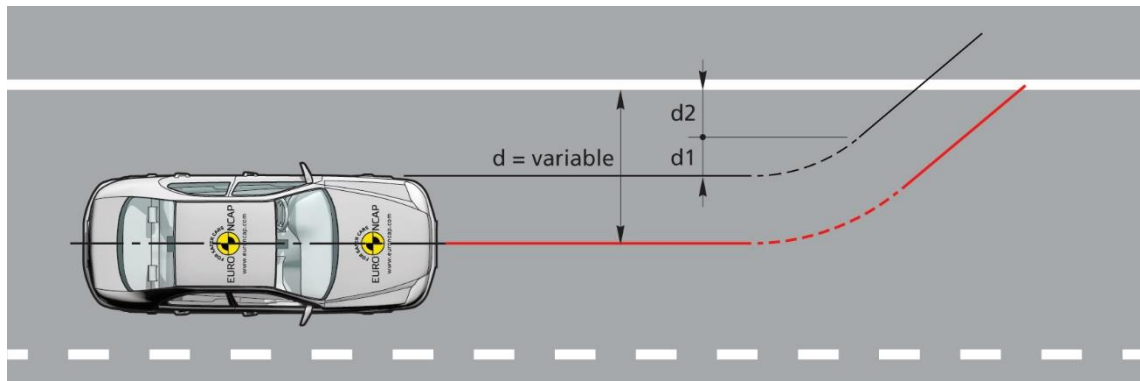
VUT@ 72km/h	V_{latVUT} [m/s]	R [m]	Ψ_{VUT} [°]	d1	d2
Unintentional	0.2	1200	0.57	0.06	0.70
	0.3		0.86	0.14	0.90
	0.4		1.15	0.24	0.80
	0.5		1.43	0.38	0.75
	0.6		1.72	0.54	0.60

Where the lateral offset d from the lane marking:

$$d = d1 + d2 + \text{Half of the vehicle width (m)}$$

d1: Lateral distance travelled during curve establishing yaw angle (m)

d2: Lateral distance travelled during V_{lat} steady state (m)



7.4.5.4 CM oncoming tests will be performed with 0.1 m/s incremental steps within the lateral velocity range of 0.2 to 0.6m/s for departures at the driver side only.

7.4.6 Car-to-Motorcyclist overtaking

7.4.6.1 For the overtaking scenario a EMT will follow a straight line path in the lane adjacent to the VUT's initial position at the driver side, in the same direction as the VUT. The straight line path of the target will be 1m for the EMT from the centre of the centre dashed lane marking of the VUT line.

7.4.6.2 The paths of the VUT and EMT will be synchronised so that the outermost front right impact point of the EMT's virtual box (impact point 5 in Figure 3-6) is equal to that of the rear axle of the VUT at the impact point (assuming no system reaction).

7.4.6.3 CMovertaking tests will be performed with 0.1m/s incremental steps within the lateral velocity range of 0.2 to 0.6m/s for unintentional lane change and 0.5 to 0.7m/s for intentional lane changes for departures at the driver side only.

7.4.6.4 Both unintentional and intentional lane changes are tested in two situations:

- EMT @ 60km/h is overtaking the VUT @ 50km/h (relative velocity of 10km/h)
- EMT @ 80km/h is overtaking the VUT @ 72km/h (relative velocity of 8km/h)

Alternatively, an agreed fallback solution is to be implemented for the EMT @ 80 km/h test:

Where the vehicle passes the 60-50 km/h CMovertaking and the 80-72 km/h C2C ELK overtaking test and blind-spot monitoring information or warning is issued when a real motorcycle overtakes the VUT when driving at the higher test speeds, points should also be awarded.

7.4.6.5 For both intentional and unintentional lane changes, the following parameters should be used to create the test paths. For the intentional lane change tests where the direction indicator is applied at 1.0s \pm 0.5s before TSTEER:

VUT@ 50km/h	Vlat _{VUT} [m/s]	R [m]	Ψ _{VUT} [°]	d1	d2
Unintentional	0.2	1200	0.83	0.12	0.64
	0.3		1.24	0.28	0.76
	0.4		1.65	0.50	0.54
	0.5		2.06	0.78	0.35
	0.6		2.48	1.12	0.02
Intentional	0.5	400	2.06	0.26	0.74
	0.6		2.48	0.37	0.59
	0.7		2.89	0.51	0.51

For LKA systems where “LKA dashed line” is also implemented as an ELK functionality (default-on), the following shall apply:

If in the test case of “CMovertaking Unintentional” at a speed of 50 km/h the intervention point of the function occurs before the target Vlat_{VUT} is reached, the lateral offset d shall be increased by a distance large enough to avoid an ELK intervention.

VUT@ 72km/h	Vlat _{VUT} [m/s]	R [m]	Ψ _{VUT} [°]	d1	d2
Unintentional	0.2	1200	0.57	0.06	0.70
	0.3		0.86	0.14	0.90
	0.4		1.15	0.24	0.80
	0.5		1.43	0.38	0.75
	0.6		1.72	0.54	0.60
Intentional	0.5	800	1.43	0.25	0.75
	0.6		1.72	0.36	0.60
	0.7		2.01	0.49	0.53

Where the lateral offset d from the lane marking:

$$d = d1 + d2 + \text{Half of the vehicle width (m)}$$

d1: Lateral distance travelled during curve establishing yaw angle (m)

d2: Lateral distance travelled during V_{lat} steady state (m)

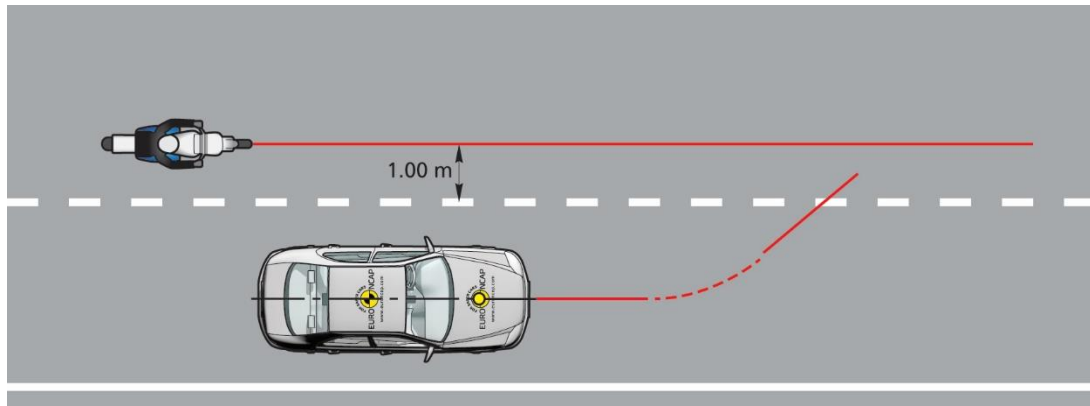


Figure 7-22: CMovertaking scenarios

7.5 Test Conduct

- 7.5.1 Before every test run, drive the VUT around a circle of maximum diameter 30m at a speed less than 10km/h for one clockwise lap followed by one anticlockwise lap, and then manoeuvre the VUT into position on the test path. If requested by the OEM an initialisation run may be included before every test run. Bring the VUT to a halt and push the brake pedal through the full extent of travel and release.
- 7.5.2 For vehicles with an automatic transmission select D. For vehicles with a manual transmission select the highest gear where the RPM will be at least 1500 at the test speed.
- 7.5.3 Perform the first test a minimum of 90s and a maximum of 10 minutes after completing the tyre conditioning (if applicable), and subsequent tests after the same time period. If the time between consecutive tests exceeds 10 minutes perform three brake stops from 72 km/h at approximately 0.3g.
- 7.5.4 Between tests, manoeuvre the VUT at a maximum speed of 50km/h and avoid riding the brake pedal and harsh acceleration, braking or turning unless strictly necessary to maintain a safe testing environment.
- 7.5.5 For CPFA-50, CPNA-25 and CPNA-75, CPNCO-50, CPLA-50, CBNA-50, CBNAO-50, CBFA-50, and CBLA-50, based on the OEM colour prediction, the highest avoidance (Green) test speeds of each scenario and one randomly selected avoidance (Green) test speed per scenario (where applicable) will be tested according to the following colour scheme detailed in the assessment scheme section 2.3.1. If there is an impact in any of these tests, perform a test at the adjacent test speed(s) until the predicted avoidance is confirmed.
- 7.5.6 Perform all tests where the predicted result is Yellow, Orange or Brown. Test points that are predicted Red are excluded from testing.
- 7.5.7 For CBNA-50, CBNAO-50 and CBFA-50 the lowest avoidance (Green) test speed will be tested additionally.

- 7.5.8 In the tests above 40km/h, stop testing when the actual speed reduction measured is less than 15km/h.
- 7.5.9 For CPLA-25 and CBLA-25 FCW systems tests, based on the OEM prediction, test the highest test speed of each scenario where the FCW is issued at a $TTC \geq 1.7s$, plus one randomly selected test speed per scenario where the FCW is issued at a $TTC \geq 1.7s$.
- 7.5.10 If the FCW is not issued at a $TTC \geq 1.7s$ in any of these tests, perform tests at all remaining test speeds in the scenario in 5km/h increments.
- 7.5.11 Stop testing when the OEM predicts that the FCW is not issued at a $TTC \geq 1.7s$.
For the CPLA-25 and CBLA-25 test scenarios the OEM may choose to implement ESS as an alternative strategy to issuing an FCW at a $TTC \geq 1.7s$. The ESS is evaluated at the Euro NCAP lab with input from the OEM to ensure proper triggering of the system. The recommended testing procedure can be found in the Technical Bulletin TB037.
- 7.5.12 For AEB CMR systems tests, perform tests over the full test speed range per scenario, starting with the lowest test speed. When there is complete avoidance, the subsequent test speed for the next test is incremented with 10km/h. When there is contact, first perform a test at a test speed 5km/h less than the test speed where contact occurred. After this test continue to perform the remainder of the tests with speed increments of 5km/h. Stop testing when the speed reduction seen in the test is less than 5 km/h.
- 7.5.13 For the CMR FCW system tests, when there is complete avoidance, the subsequent test speed for the next test is incremented by 10km/h. When there is contact, first perform a test at a test speed 5km/h less than the test speed where contact occurred. After this test continue to perform the remainder of the tests with speed increments of 5km/h by repeating section 7.5.6. In the CMR FCW scenarios, only perform tests at the test speeds where there was no avoidance in the AEB function tests, where applicable. Stop testing when the speed reduction seen in the test is less than 5 km/h.
- 7.5.14 For vehicles with a system where LKA dashed line is implemented as an ELK functionality (default-on) but not including a DIM feature, conduct the calibration runs as stated in 7.4.4.4 and monitor the steering torque at the intervention point for all the lateral velocities. The overriding torque shall be ≤ 3.5 Nm.

7.6 Test Execution

Control the VUT with driver inputs or using alternative control systems that can modulate the vehicle controls as necessary to perform the tests within the boundary conditions as specified in 7.6.1.2 for the AEB tests and 7.6.2 for the LSS tests.

7.6.1 AEB tests

- 7.6.1.1 Accelerate the VUT and target to the respective test speeds where needed.
- 7.6.1.2 The test shall start at T0 and is valid when all boundary conditions are met between T0 and TAEB and/or TFCW:

	VUT	EPT	EBT	EMT
Speed	+ 1.0 km/h	± 0.2 km/h	± 0.5 km/h	± [1.0] km/h
Lateral deviation	0 ± 0.05 m (0 ± 0.1 m for CPTA and CBTA)	0 ± 0.05 m for crossing scenarios (incl. CPTA, CBTA & CPRA) 0 ± 0.15 m for longitudinal scenarios (incl. CBDA)		0 ± [0.15] m
Lateral velocity		0 ± 0.15 m/s	0 ± 0.15 m/s	
Relative distance				12m/40m ± 0.5m
Yaw velocity (upto T _{STEER})	0 ± 1.0 °/s			
Yaw Angle (upto T _{STEER})				0 ± 1.5 °
Steering wheel velocity (upto T _{STEER})	0 ± 15.0 °/s			

7.6.1.3 The end of a test, where the AEB function is assessed and for CMRs FCW and CMRb FCW, is considered when one of the following occurs:

- $V_{VUT} = 0\text{km/h}$ (crossing) or $V_{VUT} = V_{\text{target}}$ (longitudinal)
- Contact between VUT and target
- The target has left the VUT path or VUT has left the target path

For CPLA-25 and CBLA-25 tests where the FCW function is assessed, the end of a test is considered when one of the following occurs:

- $V_{VUT} = V_{\text{target}}$ (longitudinal)
- T_{FCW}
- $TTC \leq 1.5\text{s}$, after which an evasive action can be started

It is at the labs discretion to select and use one of the options above to ensure a safe testing environment.

7.6.1.4 To avoid contact in the CMFtap scenario, the test laboratory may include an automated braking action by the robot in case the AEB system fails to intervene (sufficiently). This braking action is applied automatically when:

- The VUT reaches the latest position at which maximum braking applied to the vehicle will prevent the VUT entering the path of the Motorcyclist and no intervention from the AEB system is detected.
- Lateral separation between the VUT and EMT reaches $\leq 0.3\text{m}$ during / after AEB intervention.

It is at the test laboratory's discretion to select and use one of the options above to ensure a safe testing environment. If the OEM feels the avoidance action is negatively affecting the performance of their vehicle, they should consult with the test laboratory and Euro NCAP secretariat.

7.6.1.5 For manual or automatic accelerator control, it needs to be assured that during automatic brake the accelerator pedal does not result in an override of the system. The

accelerator pedal needs to be released when the initial test speed is reduced by 5 km/h. There shall be no operation of other driving controls during the test, e.g. clutch or brake pedal. This does not apply for the CPRA tests.

- 7.6.1.6 The CMRs and CMRb FCW system tests should be performed using a braking robot reacting to the warning with a delay time of 1.2 seconds as per C.4 to account for driver reaction time.
- 7.6.1.7 Braking will be applied that results in a maximum brake level of -4 m/s^2 - 0.50 m/s^2 when applied in a non-threat situation. The particular brake profile to be applied (pedal application rate applied in 200ms (max. 400mm/s) and pedal force) shall be specified by the manufacturer. When the brake profile provided by the manufacturer results in a higher brake level than allowed, the iteration steps as described in ANNEX C will be applied to scale the brake level to -4 m/s^2 - 0.50 m/s^2 .
- 7.6.1.8 If no brake profile is provided, apply default brake profile as described in ANNEX C.

7.6.2 LSS tests

7.6.2.1 Accelerate the VUT to 50km/h or 72km/h depending on the test scenario.

7.6.2.2 Where applicable accelerate the target vehicle to 60km/h or 80km/h depending on the test scenario, as described in chapter 7.4.

7.6.2.3 The test shall start at T₀ and is valid when all boundary conditions are met between T₀ and T_{ELK}:

	VUT	EMT
Speed	± 1.0 km/h	
Relative speed (CMovertaking)	± 1.0 km/h	
Lateral deviation	0 ± 0.05 m	0 ± [0.15] m
Steady state lane departure lateral velocity	± 0.05m/s	
Yaw velocity (upto T _{STEER} for VUT)	0 ± 1.0 °/s	
Yaw angle (upto T _{STEER} for VUT)		0 ± 1.5 °
Steering wheel velocity (upto T _{STEER} for VUT)	0 ± 15.0 °/s	

7.6.2.4 Steer the vehicle as appropriate to achieve the lateral velocity in a smooth controlled manner and with minimal overshoot.

7.6.2.5 The end of an CMoncoming or CMovertaking test is considered as when one of the following occurs:

- The system intervenes to prevent a collision between the VUT and target vehicle
- The system has failed to intervene (sufficiently) to prevent a collision between the VUT and target vehicle. This can be assumed when one of the following occurs:
 - The lateral separation between the VUT and target vehicle equal < 0.3m in the oncoming and overtaking scenario
 - No intervention is observed at a TTC = 0.8s or a TTC submitted by the OEM

It is at the labs discretion to select and use one of the options above to ensure a safe testing environment.

7.6.2.6 If the test ends because the vehicle has failed to intervene (sufficiently) or if the EMT has left it's designated path by more than 0.2m, it is recommended that the VUT and/or EMT are steered away from the impact, either manually or by reactivating the steering control of the driving robot/EMT.

7.6.2.7 The subsequent lateral velocity for the next test is incremented with 0.1m/s.

ANNEX A OBSTRUCTION DIMENSIONS

A.1 Smaller obstruction vehicle

The smaller obstruction vehicle should be of the category Small Family Car and is positioned closest to the pedestrian path. The smaller obstruction vehicle should be within the following geometrical dimensions and needs to be in a dark colour.

	Vehicle length	Vehicle width (without mirrors)	Vehicle height	Bonnet length (till A pillar)	BLE height
Minimum	4100 mm	1700 mm	1300 mm	1100 mm	650 mm
Maximum	4400 mm	1900 mm	1500 mm	1500 mm	800 mm

A.2 Larger obstruction vehicle

The larger obstruction vehicle should be of the category Small Off-road 4x4 and is positioned behind the smaller obstruction vehicle. The larger obstruction vehicle should be within the following geometrical dimensions and needs to be in a dark colour.

	Vehicle length	Vehicle width (without mirrors)	Vehicle height
Minimum	4300 mm	1750 mm	1500 mm
Maximum	4700 mm	1900 mm	1800 mm

ANNEX B TESTING AT LOW AMBIENT LIGHTING CONDITIONS

B.1 Illumination Situation

Based on a GIDAS hotspot analysis, this annex will describe a test condition for a night test scenario in urban situations.

B.2 Reference EN 13201

This European Standard defines performance requirements, which are specified as lighting classes for road lighting aiming at the visual needs of road users, and it considers environmental aspects of road lighting.

EN 13201, Road lighting is a series of documents that consists of the following parts:

- Part 1: Guidelines on selection of lighting classes [Technical Report];
- Part 2: Performance requirements [present document];
- Part 3: Calculation of performance;
- Part 4: Methods of measuring lighting performance;
- Part 5: Energy performance indicators.

B.3 Terms and definitions

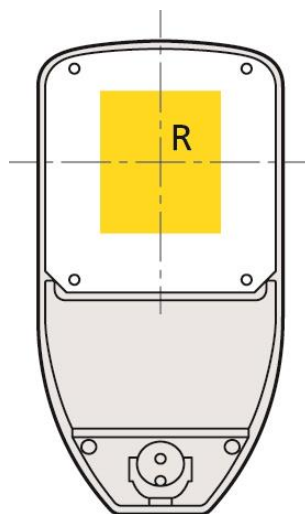
E - horizontal illuminance over a road area measured in lux (lx)

$\overline{E_{min}}$ - horizontal illuminance averaged over a road area measured in lux (lx).

E_{min} - lowest illuminance on a road area measured in lux (lx).

$\overline{E_{max}}$ - horizontal illuminance averaged over a road area measured in lux (lx).

Reference point R - The reference point of the lamp shall be the geometric centre of the light field



B.3.1

Derivation of parameter

The test condition in this annex is based on accident analysis. The illumination values refer to DIN EN 13201.

The main illumination situations are main roads in urban situations with velocity 30...60 km/h, where main users are motorized vehicles and where bicycles and pedestrians are permitted.

The illuminance is based on class ME3. For ME3 comparative classes are available: C3 und S1. For Illuminance class S1 following values are defined in EN 13201:

Values for Class S1:

$$\overline{E_{min}} > 15lx \text{ AND } E_{min} > 5lx$$

$$\overline{E_{max}} < 1,5 * \overline{E_{min}} \text{ AND } \overline{E_{max}} < 22,5lx$$

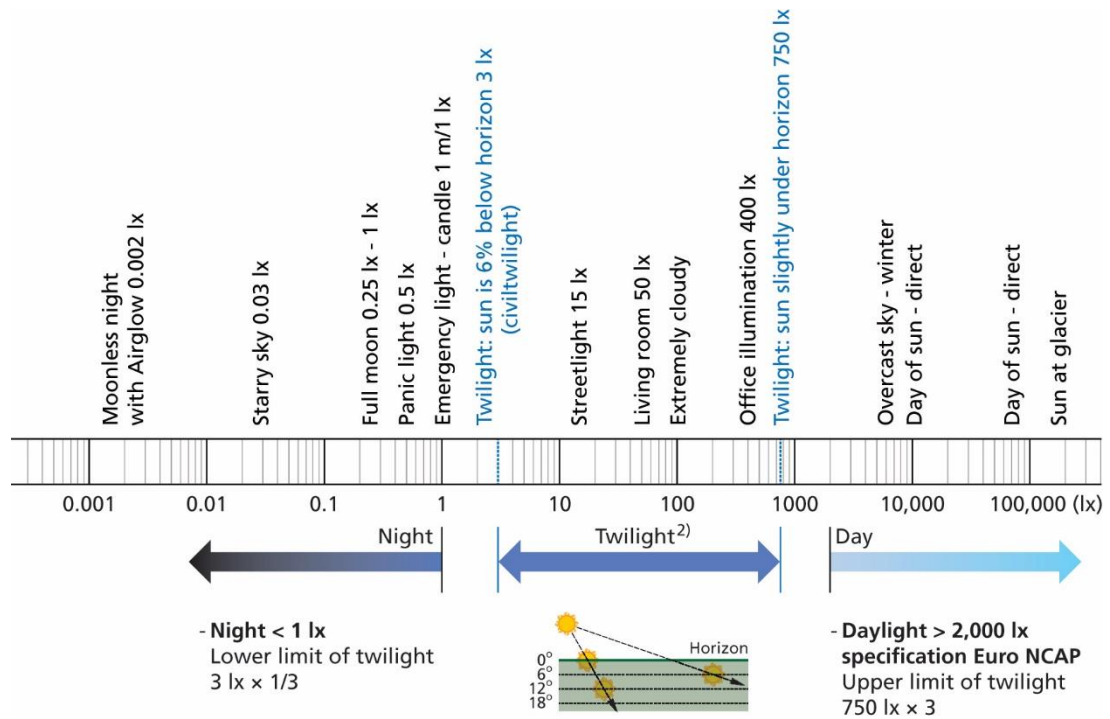
$\overline{E_{ref}}$ - In order to reach a stable measurement setup, a reference value is defined as:

$$\overline{E_{ref}} = \frac{\overline{E_{min}} + \overline{E_{max}}}{2} = \frac{15lx + 22,5lx}{2} = 18,75lx$$

B.4

Light condition

There is a wide range of illuminance values in different situations. (see figure below).



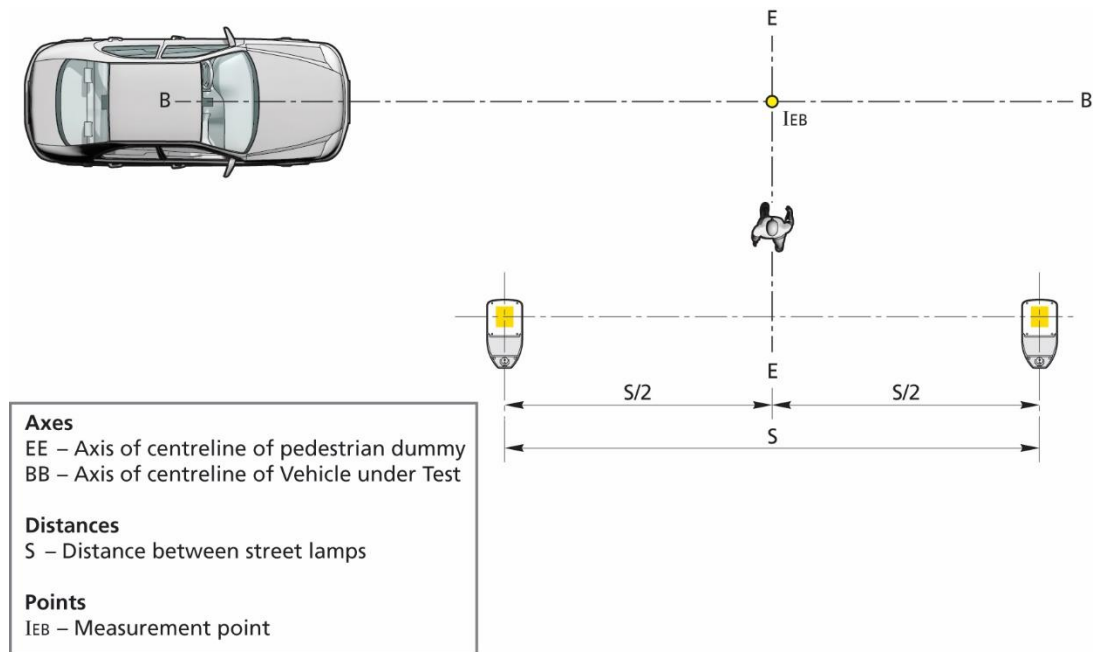
B.4.1 Background illuminance

The background illumination is an additive value to the streetlight illumination.

The position of the measurement of the background illumination shall be measured at the collision point. During measurement of background illumination all lamps and vehicle light shall be switched off.

Maximum of the background illumination on a test area during night shall be less than:

$$I_{EB} < 1lx$$



B.4.2 Illuminance at VUT path

The illuminance of VUT path (\overline{IVUT}) is defined as an average of illuminance measurement points along the VUT path, trajectory BB. For CPNA-25, CPNA-75 and CPNCO the average illuminance shall be in a range of:

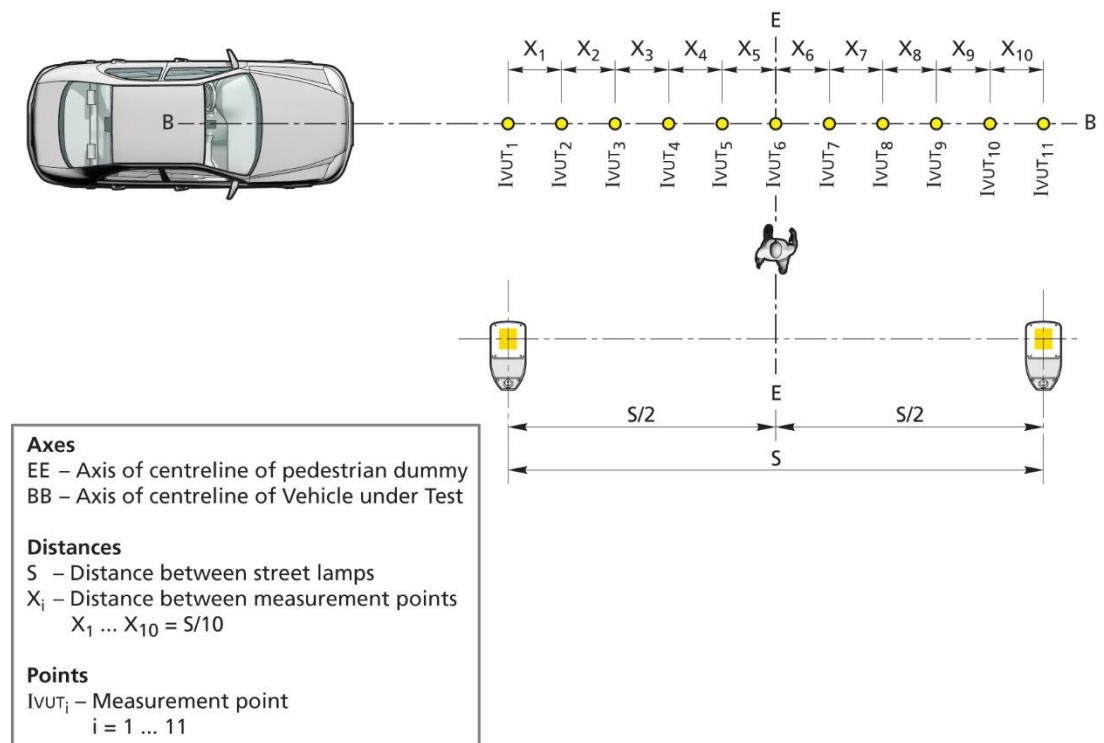
$$\overline{IVUT} = \overline{E_{ref}} \pm Tolerance = 19lx \pm 3lx$$

$$\overline{IVUT} = \frac{1}{11} \sum_{i=1}^{11} IVUT_i; \quad 16lx < \overline{IVUT} < 22lx$$

For CPFA, two additional lamps on the farside shall be switched on and the average illuminance shall be in a range of:

$$\overline{IVUT} = \overline{E_{ref}} \pm Tolerance = 25lx \pm 5lx$$

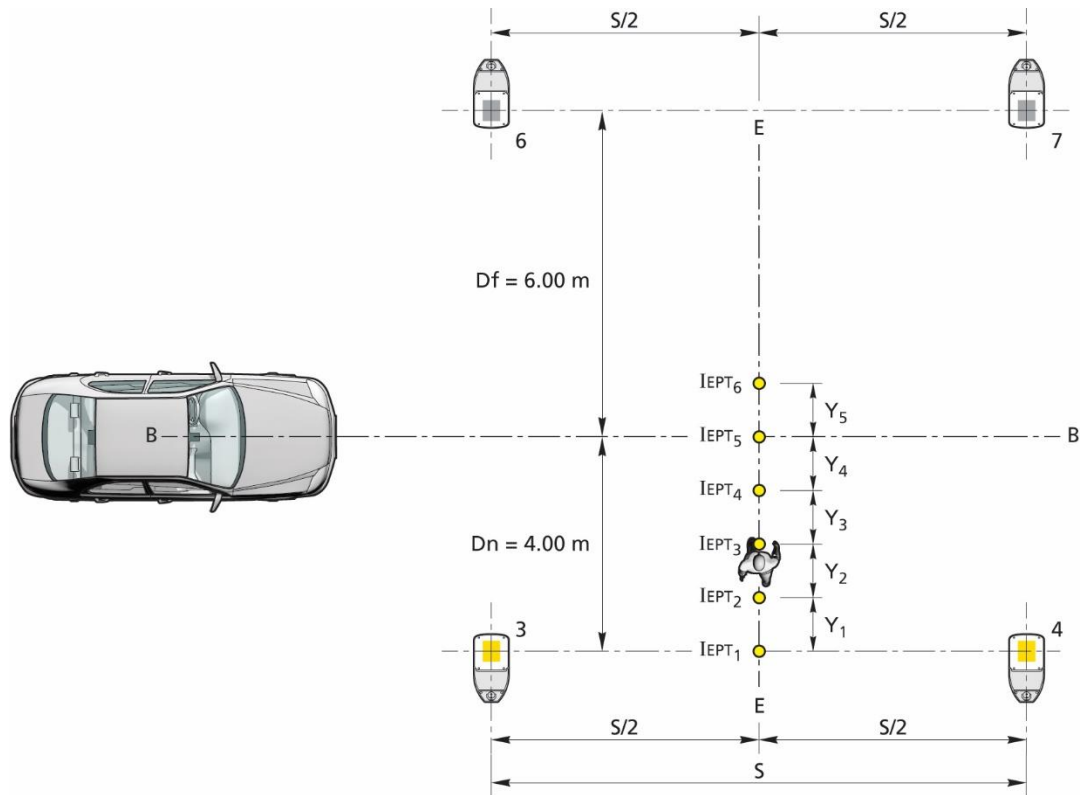
$$\overline{IVUT} = \frac{1}{11} \sum_{i=1}^{11} IVUT_i; \quad 20lx < \overline{IVUT} < 30lx$$



B.4.3 Illuminance at EPT path

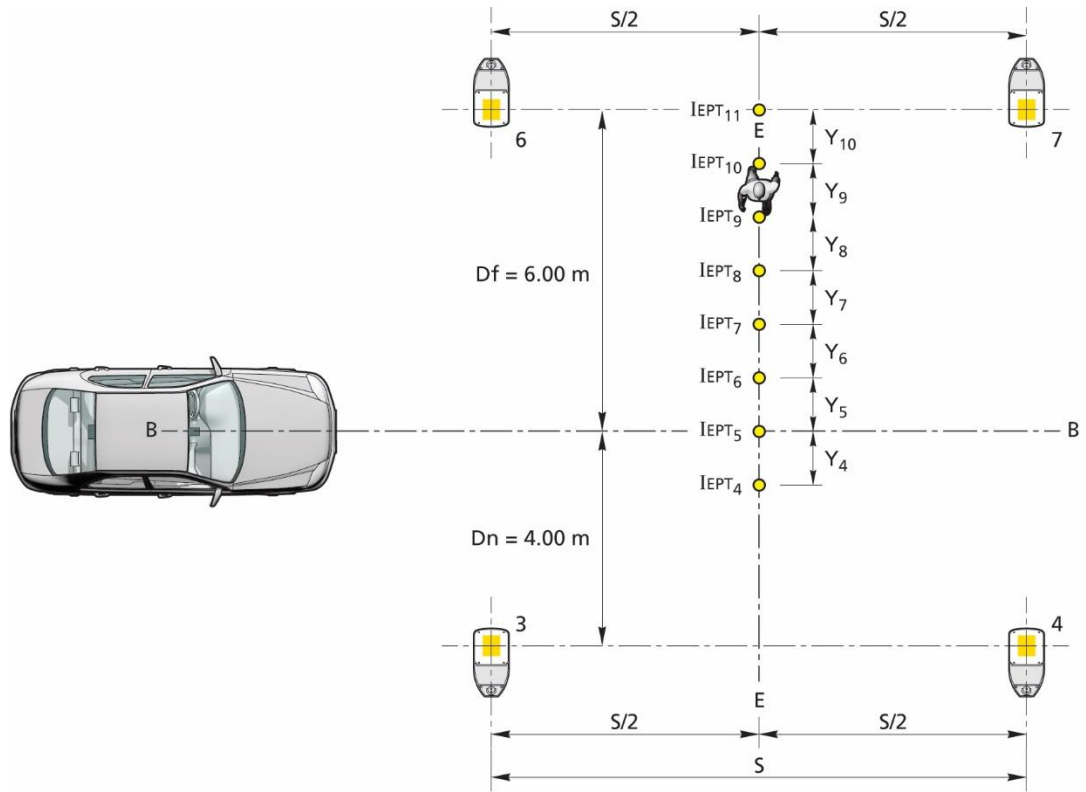
The illuminance along the EPT path, trajectory EE shall be at least $I_{EPT_i} > E_{min}$
 I_{EPT_i} ranges from 1 to 6 in nearside scenarios (Figure B5), where street lamps 6 and 7 are switched off.
 I_{EPT_i} ranges from 4 to 11 in farside scenarios (Figure B6).

$I_{EPT_i} > 5lx$



Axes
EE – Axis of centreline of pedestrian dummy
BB – Axis of centreline of Vehicle under Test
Distances
Dn – Lateral distance between the centre of the light field and the VUT path (nearside)
Df – Lateral distance between the centre of the light field and the VUT path (farside)
S – Distance between street lamps
Y_i – Distance between measurement points
$Y_1 \dots Y_5 = 1m$
Points
IEPT _i – Measurement point
$i = 1 \dots 6$

Figure B.4.3: Illuminance EPT path - nearside scenarios



Axes
EE – Axis of centreline of pedestrian dummy
BB – Axis of centreline of Vehicle under Test
Distances
Dn – Lateral distance between the centre of the light field and the VUT path (nearside)
Df – Lateral distance between the centre of the light field and the VUT path (farside)
S – Distance between street lamps
Y_i – Distance between measurement points
$Y_4 \dots Y_{10} = 1\text{m}$
Points
IEPT _i – Measurement point
$i = 4 \dots 11$

Figure B.4.3: Illuminance EPT path - farside scenarios

B.4.4 Measurement tolerances
 All measurement tolerances shall be
E : ± 1lx

B.5 Test Equipment

B.5.1 General requirement

The chosen lamp setup must reflect real world conditions. It is not allowed to install separate lamps to reach the required conditions. For the night test, a LED lamp shall be used due to its overall advantages like homogeneous illumination, long-term stability, power consumption etc.

B.5.2 Glaring

The lamps shall not be tilted towards the SV path to avoid any glaring which could affect the sensor performance. Glaring of the sensor system shall not occur everywhere on the test area and especially not along the section of the vehicle path.

B.5.3 Constant illumination function

To reach constant test conditions during test and lifetime, the lamp shall have a constant illumination function.

B.5.4 Colour temperature

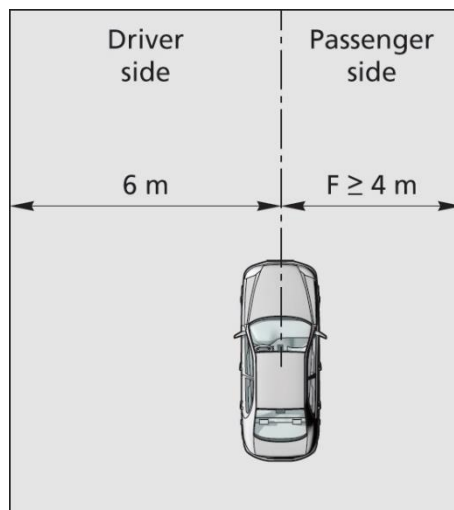
The colour temperature of the lamps shall be between $4500 \pm 1000\text{K}$.

B.5.5 Mounting device

The lamps can be either installed stationary on a fixed pole, or on a mobile tripod. The mounting device must be designed to withstand wind speeds up to 20m/s.

B.5.6 Free Space (F)

In the passenger side of the VUT test path it is not allowed to install any mounting device from the lamp.



The free space F between the VUT path and the mounting facility shall be **$F \geq 4\text{m}$** .

B.5.7 Test setup

Four lamps in front of the pedestrian path and three lamps behind the pedestrian path are required (see figure below). That lamp configuration provides a homogeneous illumination of the test scenario according to real world situations.

The position of the EPT is between lamp 3 and 4 (6 and 7 for CPFA).

Lamps 3, 4, 6 and 7 must be the same model lamp.

Lamps 6 and 7 are only switched on for the farside scenario.

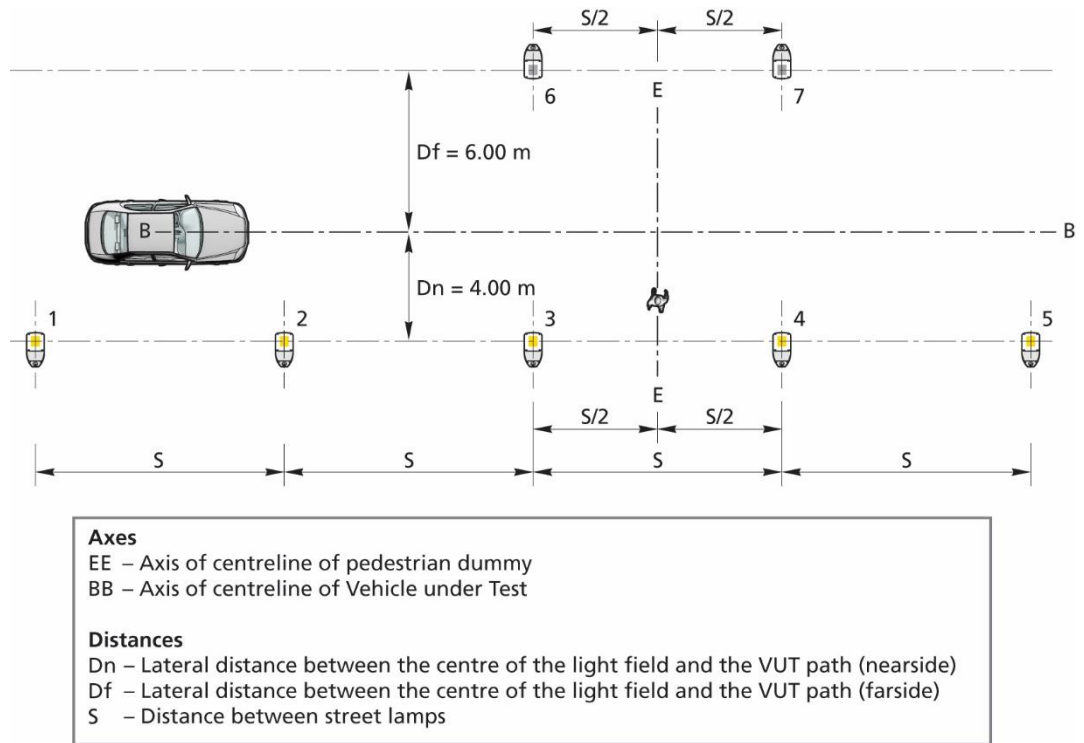
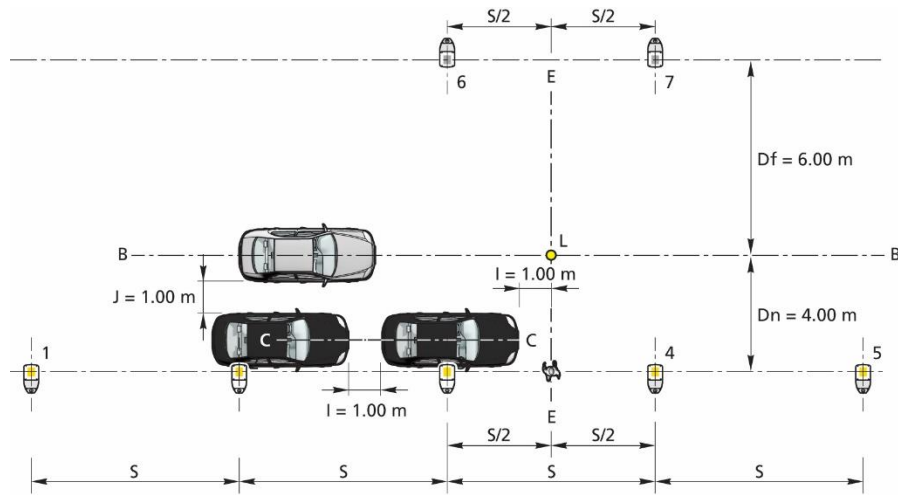


Figure B8: CPNA Night-time setup

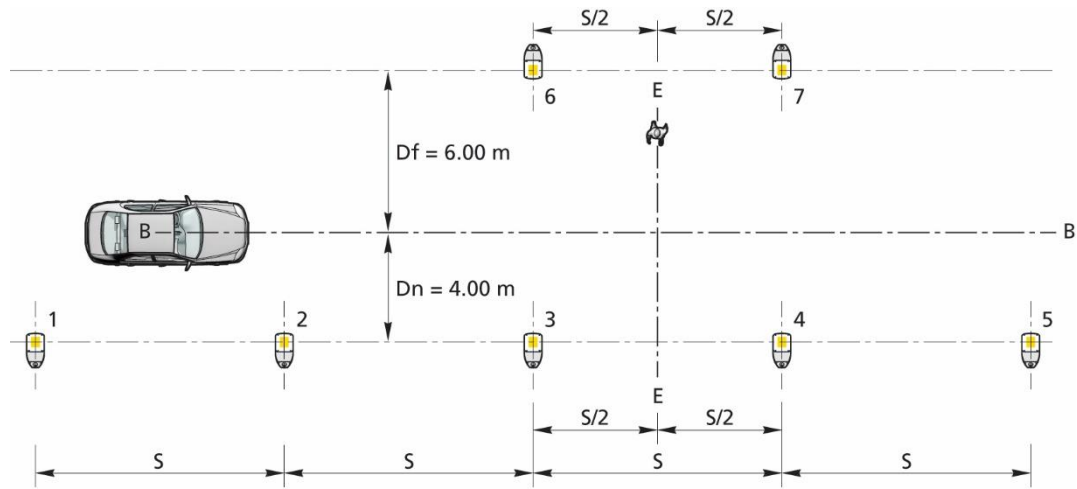


Axes
 EE – Axis of centreline of pedestrian dummy
 BB – Axis of centreline of Vehicle under Test
 CC – Axis of centrelines of obstruction vehicles

Distances
 Dn – Lateral distance between the centre of the light field and the VUT path (nearside)
 Df – Lateral distance between the centre of the light field and the VUT path (farside)
 S – Distance between street lamps
 I – Dummy H-point to front of obstruction vehicle
 J – Distance between Vehicle under Test and larger obstruction vehicle

Points
 L – Impact position for 50% scenarios

Figure B9: CPNCO Night-time setup



Axes
 EE – Axis of centreline of pedestrian dummy
 BB – Axis of centreline of Vehicle under Test

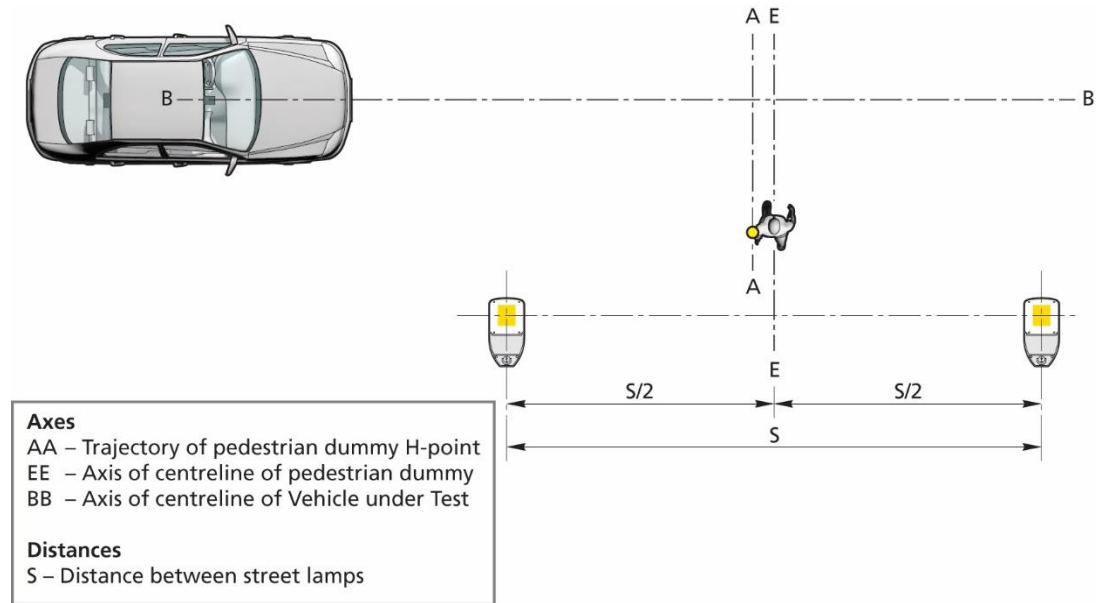
Distances
 Dn – Lateral distance between the centre of the light field and the VUT path (nearside)
 Df – Lateral distance between the centre of the light field and the VUT path (farside)
 S – Distance between street lamps

Figure B10: CPFA Night-time setup

B.5.8

EPT position

The EPT track EE shall be positioned between the street lamp 3 and 4 and passes the centreline of the EPT. Reference point for test setup is trajectory AA, which passes the pedestrian dummy H-point.

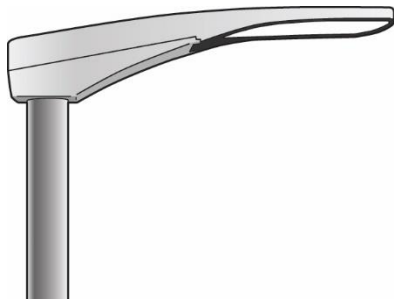


B.6 Example Test Equipment

As a reference and to demonstrate feasibility, the following sections provides example test equipment, test set-up and reference measurements that can be taken to ensure that the set-up will meet the requirements of this ANNEX.

Lamp type

Schuch, 48_LED (48 2403 ABX CL), or
Schuch, 47_LED (48 2403 ABX CL)



B.6.1 Requirement test setup adjustment

To be sure to reach requirement B4.2 and B4.3 the following parameters are allowed to be adjusted.

The distance of the lamp should be adjustable in order to reach the requested illumination values.

S: 25m ± 0,5m

The lateral distance between the centre of the LED-area and the vehicle path is adjustable in a range of

Dn: 4,0m ± 0,1m ; Df: 6,0m ± 0,1m

The height of the lamp should be adjustable in order to reach the requested illumination values.

H: 5m ± 0,1m

Angle against ground and pole.

α : 90° ± 0,5°

The tilt of the lamp is adjustable in three different positions. (0° standard, 5°, 10°)

T: 0° standard position

The inclination of road and test site surfaces is typically ~2.5%

γ : < 1,5°

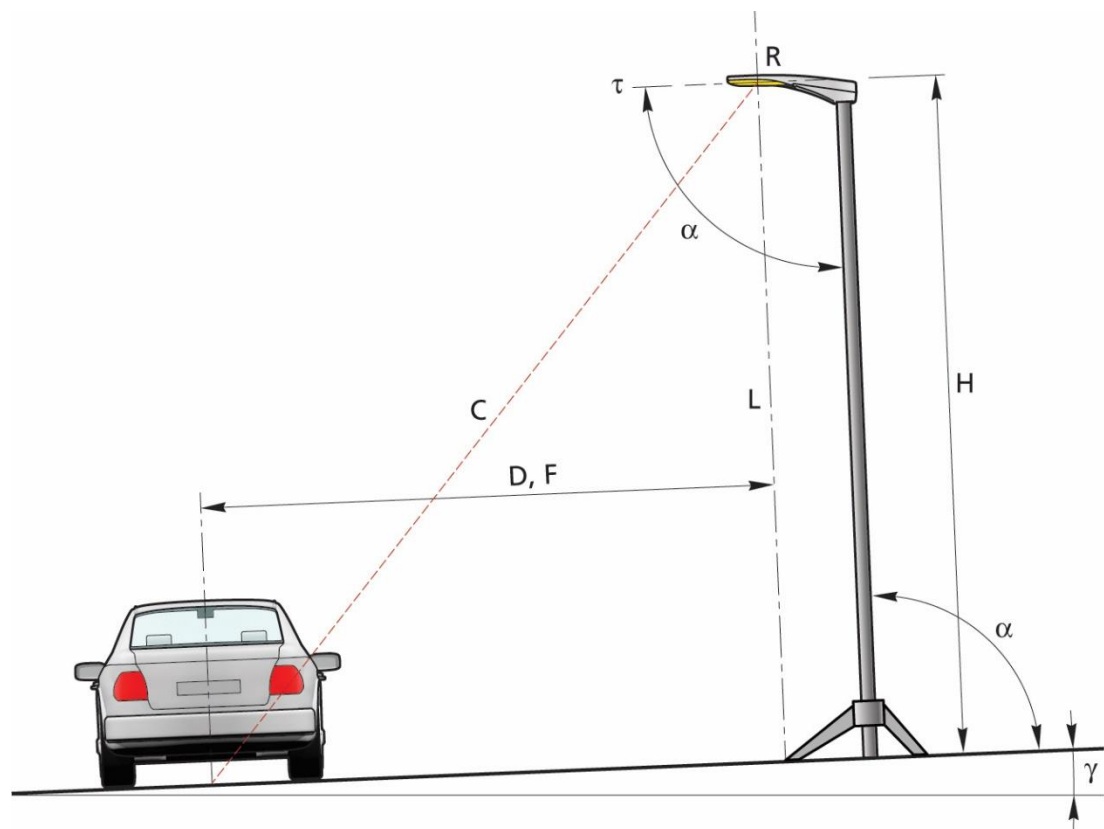
To ensure that the centre lines L of the lamps are oriented at right angles to the street even under the above conditions the length of the control line C (for both nearside Cn and farside Cf) shall be verified. Approval for the two lamps adjacent to the pedestrian path is sufficient:

$$C_n = \sqrt{Dn^2 + H^2} = \sqrt{4m^2 + 5m^2}$$

Cn: 6,4m ± 0,1m;

$$C_f = \sqrt{Df^2 + H^2} = \sqrt{6m^2 + 5m^2}$$

Cf: 7,8m ± 0,1m;



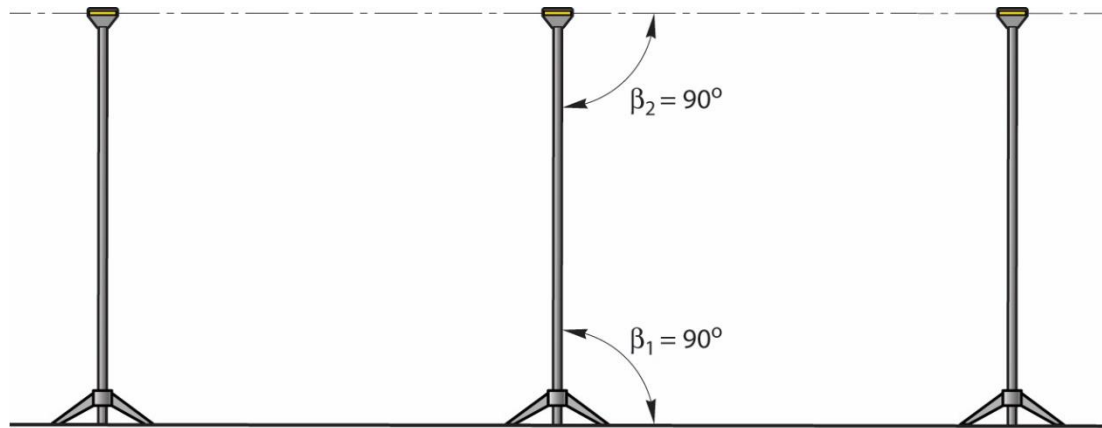
- R – Reference point geometric centre of the light field
- L – Centre line of the lamp (parallel to the pole)
- D – Lateral distance between the centre of the light field and the VUT path
- F – Free space between driving path of VUT and equipment
- H – Height of lamp
- C – Control line
- τ – Tilt of lamp
- α – Angle against ground and pole
- γ – Cross slope

B.6.2

Longitudinal inclination of lamp

In order to get well balanced light distribution, it is necessary that the inclination of the lamp is in a range of:

$\beta_{1,2}: 90^\circ \pm 0.5^\circ$



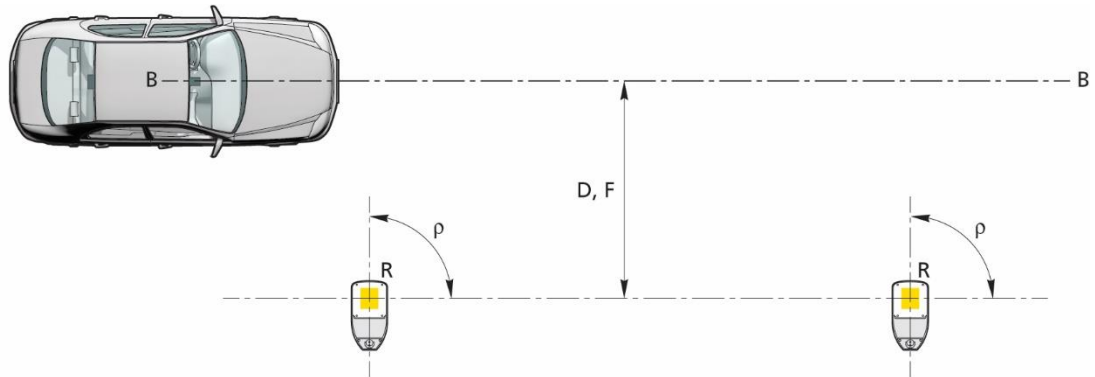
β_1 – Inclination of lamp to ground
 β_2 – Inclination of lamp to pole

B.6.3

Orientation of lamp

In order to get well balanced light distribution, it is necessary that the rotation of the lamp in a range of:

$$\rho: 90^\circ \pm 0,1^\circ$$

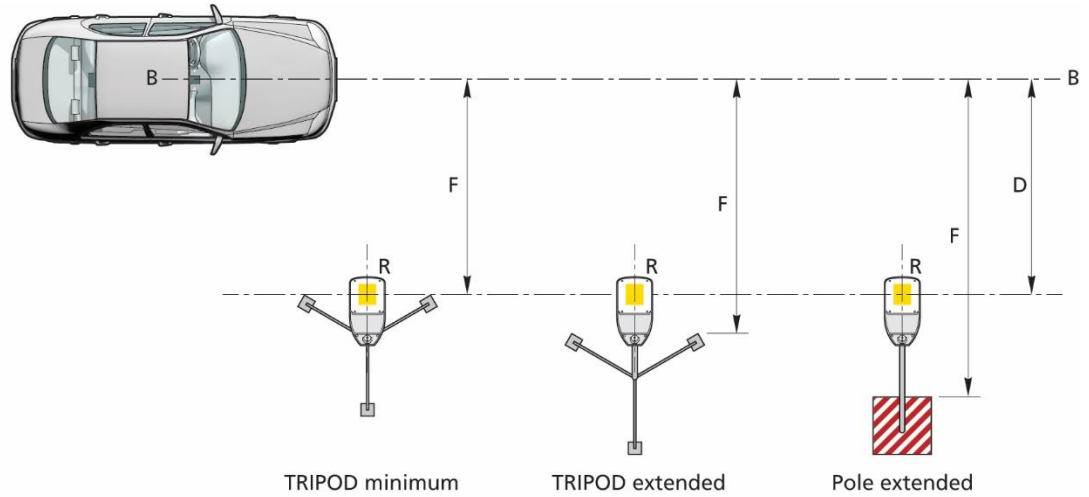


Axes
BB – Axis of centreline of Vehicle under Test
Angles
ρ – rotation of lamp
Distances
F – Free space between driving path of VUT and equipment
D – Lateral distance between the centre of the light field and the VUT path
Points
R – Reference point geometric centre of the light field

B.6.4

Example solutions

It is not allowed to install any mounting device within the free space. Different solutions are possible to reach the requirement as defined in B5.6.

**Axes**

BB – Axis of centreline of Vehicle under Test

Distances

F – Free space between driving path of VUT and equipment

D – Lateral distance between the centre of the light field and the VUT path

Points

R – Reference point geometric centre of the light field

B.6.5

Example mounting devices

It is not allowed to install any mounting device within the free space. Different solutions are possible to reach the requirement as defined in B5.6.

Towerlight TF5.5

<http://www.towerlight.de/produkt/tf-5-5-7m/>

(Date 2017-05-15)



configuration tripod



configuration cement pole

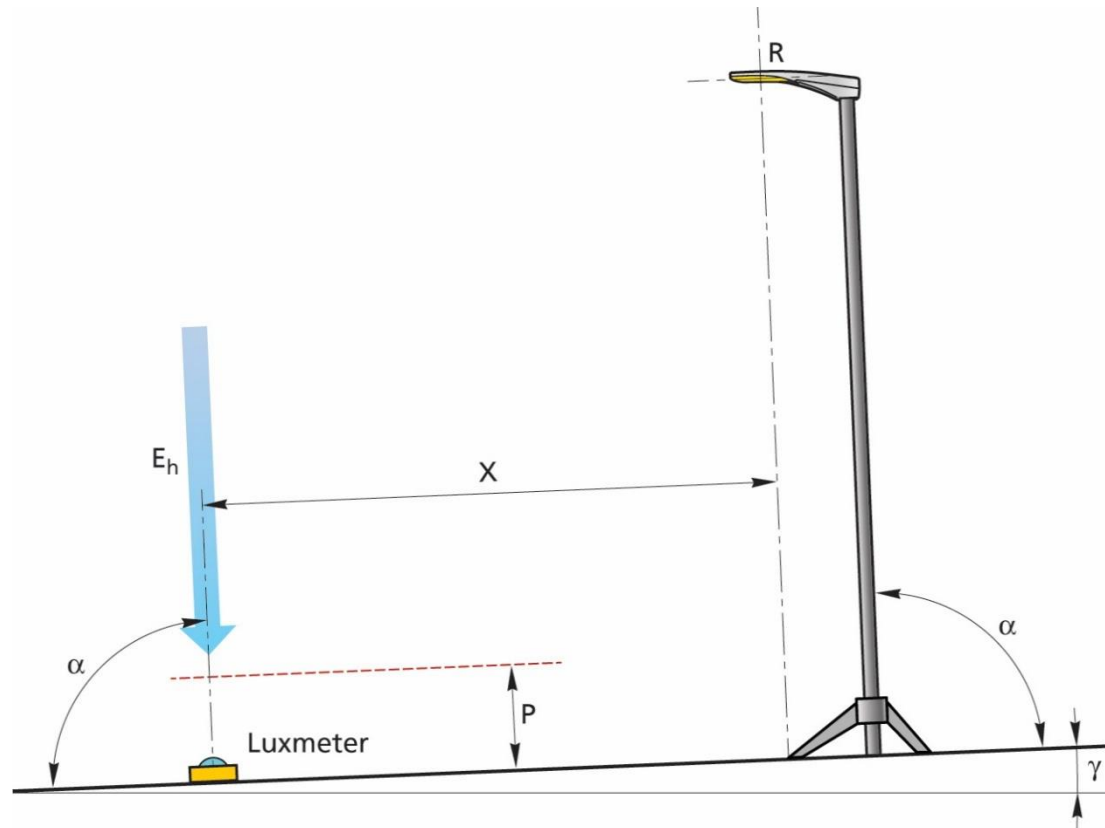
B.7 Measurement

To ensure, that the parameter defined in B4.1, B4.2 and B4.3 are in line with test setup, the parameter must be verified and documented.

B.7.1 Measurement setting

To measure the illumination, a calibrated luxmeter must be set on ground in a right angle to the street.

P: < 0,2m



E_h – Horizontal illumination
R – Reference point geometric centre of light field
P – Maximal height over ground
X – Position X
α – Angle against ground
γ – Cross slope

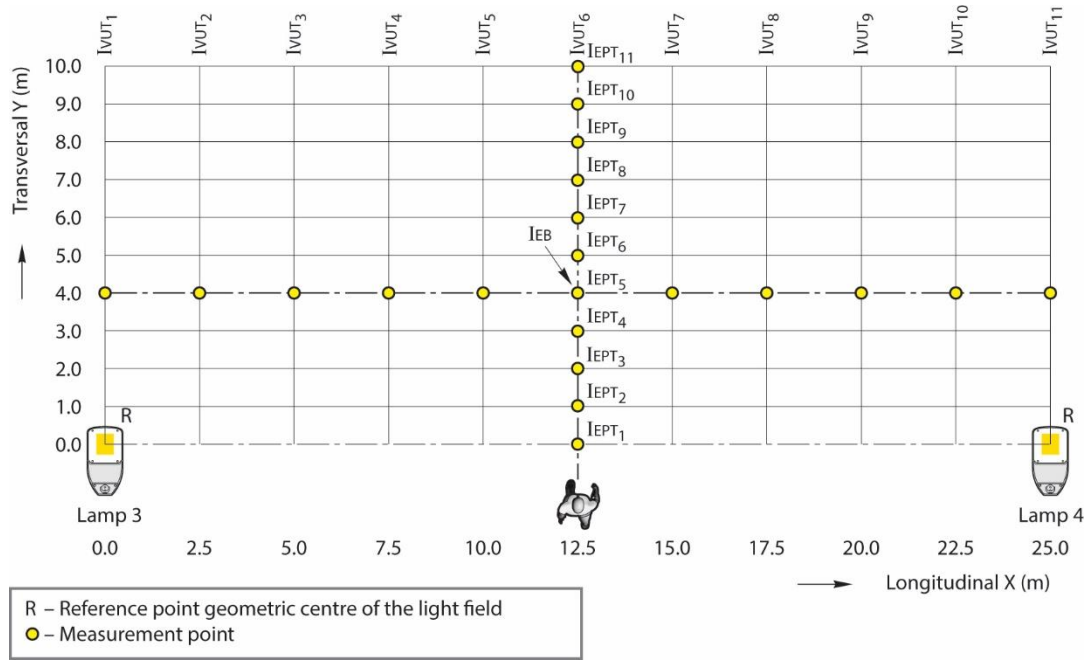
B.7.2 Example measurement grid

To ensure, that the parameter defined in B4.1, B4.2 and B4.3 are in line with test setup, the parameter must be verified and documented.

For I EPT5, I VUT6, I EB the position for measurement is:

X=12,5m, Y=4,0m.

The other values see figure below.



B.7.3

Example measurement tools

To measure the illuminance values, a calibrated luxmeter shall be used. The tolerance shall be:

Maximal error tolerance < 5%.

Luxmeter LMT B 360

<http://www.lmt-berlin.de/de/b360.html>

(Date 2017-05-15)



Luxmeter LMT B 360

Luxmeter Konika T-10A

[Illuminance Meters T-10A / T-10MA / T-10WsA | KONICA MINOLTA](#)

(Date 2017-05-15)



figure: Luxmeter Konika T-10A

B.7.4 Measurement documentation

The following values shall be measured and documented before and after a complete test series.

- **Background illuminance I_{EB} (B.4.1)**
With all lamps and vehicle lights switched OFF, measure and record I_{EB} before and after a full test series.
- **Illuminance at VUT, EPT path (B.4.2 & B.4.3)**
With all lamps ON and vehicle lights OFF, measure and record the illuminance at VUT and EPT path.

ANNEX C BRAKE APPLICATION PROCEDURE

The braking input characterisation test determines the brake pedal displacement and force necessary to achieve a vehicle deceleration typical of that produced by a typical real-world driver in emergency situations.

C.1 Definitions

T_{BRAKE} - The point in time where the brake pedal displacement exceeds 5mm.

T_{-6m/s²} - The point in time is defined as the first data point where filtered, zeroed and corrected longitudinal acceleration data is less than -6 m/s².

T_{-2m/s²}, T_{-4m/s²} - similar to **T_{-6m/s²}**.

C.2 Measurements

Measurements and filters to be applied as described in Chapter 4 of this protocol.

C.3 Brake Characterization Procedure

First perform the brake and tyre conditioning tests as described in 7.1.2 and 7.1.3. The brake input characterisation tests shall be undertaken within 10 minutes after conditioning the brakes and tyres.

C.3.1 Brake Displacement Characterisation Tests

- Push the brake pedal through the full extent of travel and release.
- Accelerate the VUT to a speed in excess of 85km/h. Vehicles with an automatic transmission will be driven in D. For vehicles with a manual transmission select the highest gear where the RPM will be at least 1500 at the 85km/h.
- Release the accelerator and allow the vehicle to coast. At a speed of 80 ± 1.0 km/h initiate a ramp braking input with a pedal application rate of 20 ± 5 mm/s and apply the brake until a longitudinal acceleration of -7 m/s² is achieved. For manual transmission vehicles, press the clutch as soon as the RPM drops below 1500. The test ends when a longitudinal acceleration of -7 m/s² is achieved.
- Measure the pedal displacement and applied force normal to the direction of travel of the initial stroke of the brake pedal, or as close as possible to normal as can be repeatedly achieved.

C.3.1.1 Perform three consecutive test runs. A minimum time of 90 seconds and a maximum time of 10 minutes shall be allowed between consecutive tests. If the maximum time of 10 minutes is exceeded, perform three brake stops from 72 km/h at approximately 0.3g.

- Using second order curve fit and the least squares method between T-2 m/s², T-6 m/s², calculate the pedal travel value corresponding to a longitudinal acceleration of -4 m/s²

(=D4, unit is m). Use data of at least three valid test runs for the curve fitting.

- This brake pedal displacement is referred to as D4 in the next chapters.
- Using second order curve fit and the least squares method between T-2 m/s², T-6 m/s², calculate the pedal force value corresponding to a longitudinal acceleration of -4 m/s² (=F4, unit is N). Use data of at least three valid test runs for the curve fitting.
- This brake pedal force is referred to as F4 in the next chapters.

C.3.2 Brake Force Confirmation and Iteration Procedure

- Accelerate the VUT to a speed of 80+1km/h. Vehicles with an automatic transmission will be driven in D. For vehicles with a manual transmission select the highest gear where the RPM will be at least 1500 at the 80km/h.
- Apply the brake force profile as specified in C.4, triggering the input manually rather than in response to the FCW. Determine the mean acceleration achieved during the window from TBRAKE +1s TBRAKE +3s. If a mean acceleration outside the range of -4 -0.5 m/s² results, apply the following method to ratio the pedal force applied.
 $F4_{new} = F4_{original} * (-4/\text{mean acceleration})$, i.e. if F4original results in a mean acceleration of -5 m/s², $F4_{new} = F4_{original} * -4 / -5$
- Repeat the brake force profile with this newly calculated F4, determine the mean acceleration achieved and repeat the method as necessary until a mean acceleration within the range of -4 -0.5 m/s² is achieved.

C.3.2.1 Three valid pedal force characteristic tests (with the acceleration level being in the range as specified) are required. A minimum time of 90 seconds and a maximum time of 10 minutes shall be allowed between consecutive tests. If the maximum time of 10 minutes is exceeded, perform three brake stops from 72 km/h at approximately 0.3g.

- before restarting the brake pedal force characterisation tests. This brake pedal force is referred as F4 in the next chapters.

C.4 Brake Application Profile

- Detect T_{FCW} during the experiment in real-time.
- Release the accelerator at T_{FCW} + 1 s.
- Perform displacement control for the brake pedal, starting at T_{FCW} + 1.2 s with a gradient of the lesser of 5 x D4 or 400mm/s (meaning the gradient to reach pedal position D4 within 200ms, but capped to a maximum application rate of 400mm/s).
- Monitor brake force during displacement control and use second-order filtering with a cut-off frequency between 20 and 100 Hz (online) as appropriate.
- Switch to force control, maintaining the force level, with a desired value of F4 when

- i. the value $D4$ as defined in C.3.1.1 is exceeded for the first time,
 - ii. the force $F4$ as defined in C.3.1.1 is exceeded for the first time, whichever is reached first.
- The point in time where position control is switched to force control is noted as T_{switch} .
 - Maintain the force within boundaries of $F4 \pm 25\% F4$. A stable force level should be achieved within a period of 200ms maximum after the start of force control. Additional disturbances of the force over $\pm 25\% F4$ due to further AEB interventions are allowed, as long as they have a duration of less than 200ms.
 - The average value of the force between $T_{\text{FCW}} + 1.4\text{s}$ and the end of the test should be in the range of $F4 \pm 10\text{ N}$.